



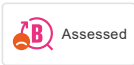
## MORA ONE miniprofi kitchen mixer

Article number: 262091 Flow 3 bar: 8.9 l/m

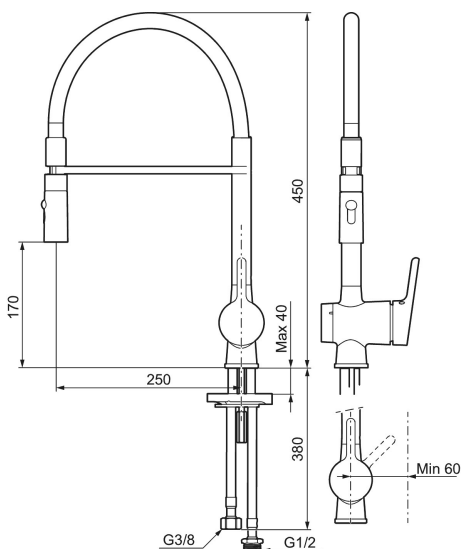
Description: Chrome, transparent hose

- Nozzle with two spray patterns (normal and rinse)
- Ceramic cartridge with soft closing function
- Adjustable flow control and temperature limiter
- Eco (energy and water saving aerator)
- Swivel spout, limitation part for 60°, 85°, 110° or 360° included
- Soft PEX® hoses with 3/8" connecting nut (stainless steel braided)
- With dishwasher valve, switchable between cold and hot water. Pre-set on cold water
- Approved non-return valves, EN-Standard EN1717
- Hole diameter Ø34-37 mm

### Unique characteristics



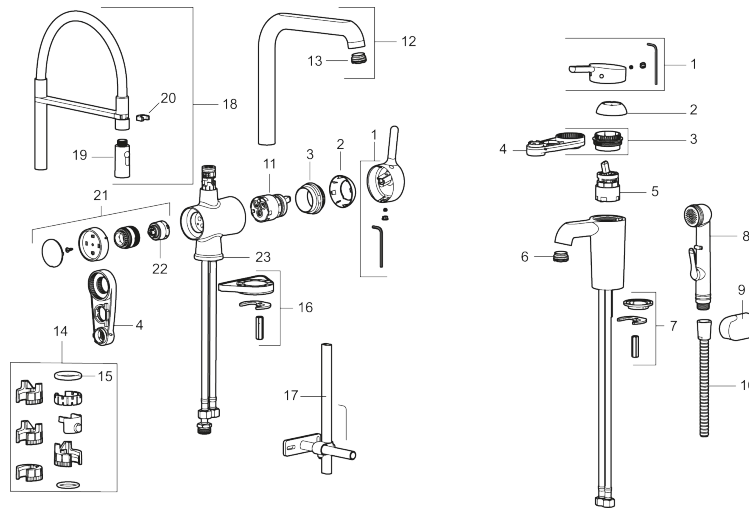
Backflow protection unit type



PRODUCT DESCRIPTION

# MORA ONE miniprofi kitchen mixer

Article number: 262091



## Sparepartlist

| NO. | ART NO.   | RSK     | DESCRIPTION                                 |
|-----|-----------|---------|---|
| 1   | 409560.AE | 8393985 | Lever, complete                             |
| 2   | 409580.AE | 8386087 | Cover nut                                   |
| 3   | 409570.AE | 8386086 | Lock nut, incl service tool                 |
| 4   | 891096.AE | 8345921 | Service tool                                |
| 5   | 409403.AE | 8345132 | Ceramic cartridge, incl service tool        |
| 5   | 409405.AE | 8345205 | Ceramic cartridge, Turbo, incl service tool |
| 6   | 409565.AE | 8281449 | Aerator M24 ext., 5 l/min at 200–600 kPa    |
| 7   | 409387.AE | 8346912 | Fastening details, basin                    |
| 8   | S600206   | 8233049 | Self-closing hand shower, chrome            |
| 9   | 130732.AE | 8184186 | Wall bracket                                |
| 10  | S600207   | 8236647 | Shower hose, L=1,5 m, chrome                |
| 11  | 409450.AE | 8591987 | Ceramic cartridge, incl. service tool       |
| 12  | 409561.AE | 8393986 | Spout, complete                             |
| 13  | 409569.AE | 8281451 | Aerator M24 ext., 9–11 l/min at 300 kPa     |
| 14  | 209565.AE |         | Limitation segment                          |
| 15  | 708843.AE | 8295357 | O-ring (15,54 x 2,62), 2 pcs                |
| 16  | 708779.AE |         | Fastening details, kitchen                  |
| 17  | 409340.AE | 8531598 | Stabilization kit                           |

| NO. | ART NO.     | RSK     | DESCRIPTION  |
|-----|-------------|---------|--|
| 18  | 409563.AE   | 8393988 | Spout, complete, transparent hose                                      |
| 18  | 409563.0011 | 8394026 | Spout, complete, black hose  |
| 18  | 409563.0015 | 8394027 | Spout, complete, pink hose   |
| 18  | 409563.0020 | 8394025 | Spout, complete, white hose  |
| 18  | 409563.0024 | 8394024 | Spout, complete, brown hose  |
| 18  | 409563.0042 | 8394023 | Spout, complete, grey hose   |
| 18  | 409563.0084 | 8394028 | Spout, complete, blue hose   |
| 19  | 409564.AE   | 8393989 | Nozzle   |
| 20  | S600061     | 8393993 | Spout mount  |
| 21  | 409562.AE   | 8393987 | Dishwasher isolator cartridge, incl. service tool                      |
| 22  | 209504.AE   | 8346905 | Ceramic cartridge for dish washer connection CW/HW, incl. service tool |
| 23  | 209563.AE   | 8295335 | Locating ring, kitchen   |