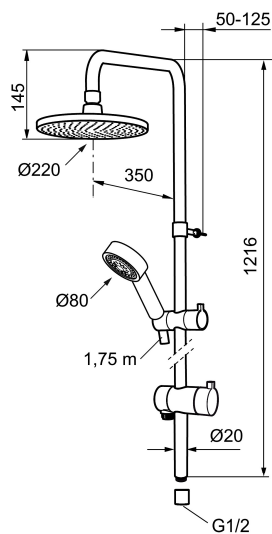




Unique characteristics



## MORA REXX S5 shower system

Mora REXX is the essence of Scandinavian design and functionality. Minimalism and simplicity characterise this product line. Its innovation lies in its precision. When tradition and craftsmanship meet state-of-the-art manufacturing methods and inspiring design, the result is Mora REXX. This generous shower includes a wide overhead shower head and a practical hand shower, both with an anti-limescale system.

Article number: 130014

Description: Chrome

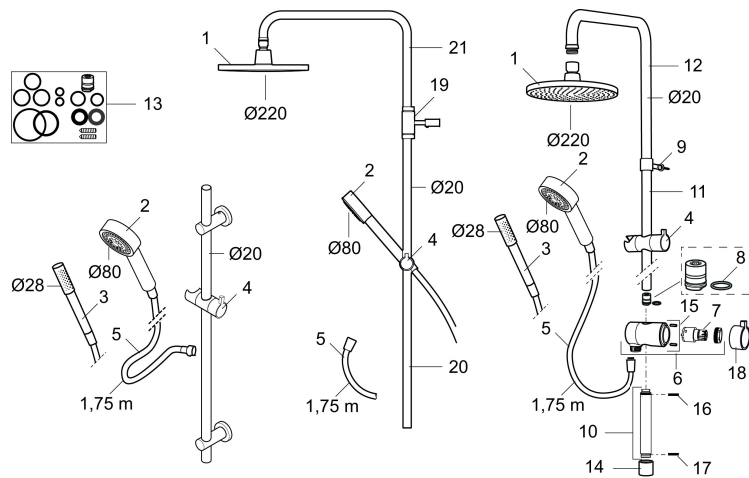
- Diverter with ceramic cartridge
- Shower hose in metal, PVC- and BPA-free
- With Easy-Clean anti-limescale system
- Shower bar can be shortened if required
- Connection with G1/2
- Diverter can be mounted with lever pointing in chosen direction
- Eco (energy and water saving hand shower 9 l/min, shower head 12 l/min)

PRODUCT DESCRIPTION

# MORA REXX S5 shower system

Mora REXX is the essence of Scandinavian design and functionality. Minimalism and simplicity characterise this product line. Its innovation lies in its precision. When tradition and craftsmanship meet state-of-the-art manufacturing methods and inspiring design, the result is Mora REXX. This generous shower includes a wide overhead shower head and a practical hand shower, both with an anti-limescale system.

Article number: 130014



## Sparepartlist

NO.	ART NO.	RSK	DESCRIPTION
1	131192	8180715	Shower head, 220 mm, chrome
2	130356	8199194	Hand shower, chrome
3	209534	8199198	Hand shower, chome
3	209534.75	8199199	Hand shower, stainless look
4	130357.AA	8762735	Slider, chrome, retail packed
4	130357.0011AE	8762729	Slider, chrome/black
5	139835.AE	8199159	Shower hose in metal, 1750 mm
6	409430.AE	8541683	Diverter
7	409417.AA	8541628	Cartridge for diverter
8	639173.AE	8295314	Gasket (2 pcs)
9	139906.AE	8180378	Clip for shower bar 20 mm
10	209549.AE	8180946	Connecting pipe
11	209548.AE	8180944	Lower bar
12	209550.AE	8180947	Upper bar for S5
13	409425.AE	8346925	Spare bag for Mora Shower System

NO.	ART NO.	RSK	DESCRIPTION
14	209291.AE	8295321	Transition nipple G1/2 - M18x1
15	139812.AE	8295323	Stop screw M5x20
16	309246.AE	8295312	O-ring (13,1 x 1,6)
17	609029.AE	8295315	O-ring (16,1 x 1,6)
18	409520.AE	8348107	Handle for diverter
19	409590.AE	8221731	Clip for shower bar, chrome
20	209648.AE	8217836	Lower bar, chrome
21	209650.AE	8217835	Upper bar