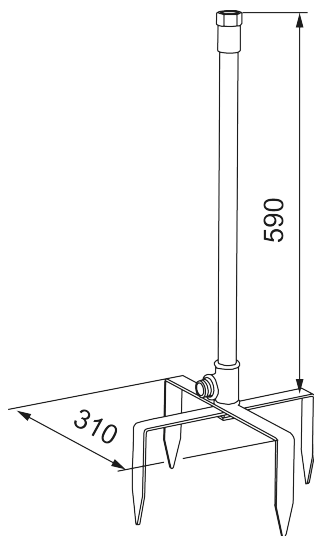




Unique characteristics



Stand for outdoor shower

Article number: 400028

Description: Black

- Accessories that make the wall-mounted outdoor shower a free-standing model
- Lower part of sturdy spikes that easily push into the ground. This allows you to move the shower around in your garden – or bring it along to your summer house