



MORA MMIX T5 shower mixer

Mora MMIX combines elegance and ergonomic design with energy-efficiency. Soft geometric curves and a timeless style characterise the entire Mora MMIX range. The mixers were developed according to our unique EcoSafe™ concept focusing on low energy consumption and long-term environmental care.

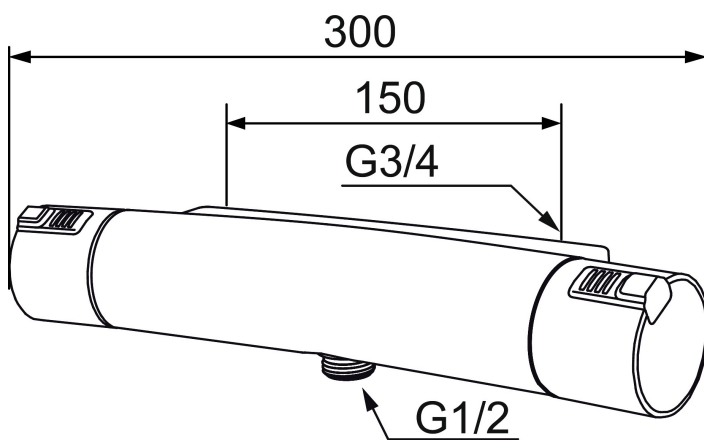
Article number: 731100.0011DB

Description: Chrome/black, 150 c/c, incl. s-connection (2x701001)

Unique characteristics



Backflow protection unit type **EB**



- With shower connection down
- Pressure balanced thermostatic mixer
- Temperature handle with safety stop at 38°C
- With Eco-function
- Lead Free material
- Approved non-return valves, EN-Standard EN1717