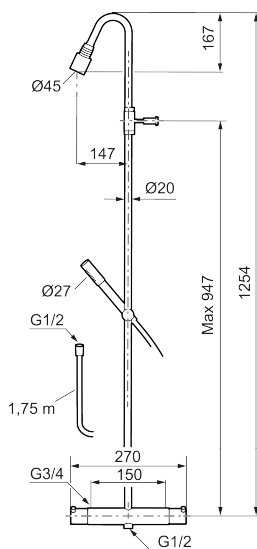
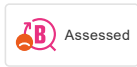




Unique characteristics



MORA IZZY shower system kit

Mora Izzy exudes harmony and elegance. The elegantly curved shower bar gives Mora Izzy its characteristic look. Izzy Rock has ribbed knobs, providing a better grip in the shower and giving the mixer a distinctive, bold look.

Article number: 705600.80

Description: Chrome/grooved

Consist of:

Mora Izzy thermostatic mixer:

- Compensates for temperature and pressure fluctuations
- With reversible headwork
- Temperature handle with safety stop at 38°C
- With Eco-function Approved non-return valves, EN-Standard EN1717

Mora Izzy Shower System:

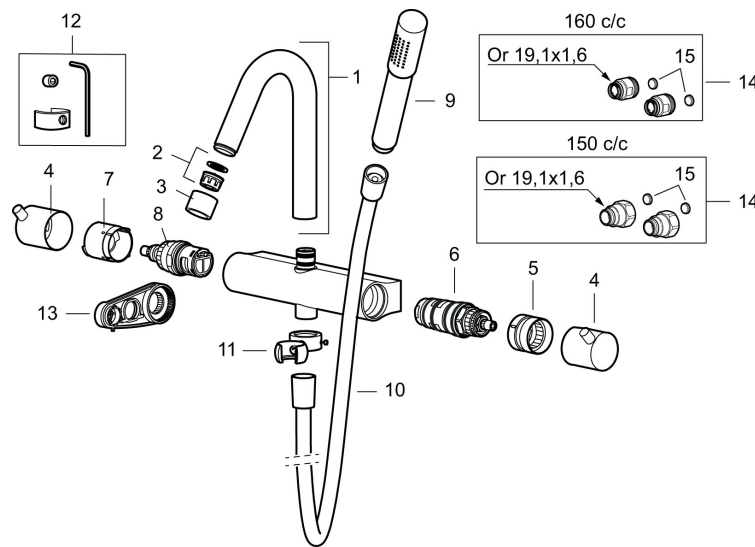
- Shower hose in metal, PVC- and BPA-free
- With Easy-Clean anti-limescale system
- Shower bar can be shortened if required
- Eco (energy and water saving hand shower 9 l/min, shower head 12 l/min)

PRODUCT DESCRIPTION

MORA IZZY shower system kit

Mora Izzy exudes harmony and elegance. The elegantly curved shower bar gives Mora Izzy its characteristic look. Izzy Rock has ribbed knobs, providing a better grip in the shower and giving the mixer a distinctive, bold look.

Article number: 705600.80



Sparepartlist

| NO. | ART NO. | RSK | DESCRIPTION |
|-----|-------------|---------|--|
| 1 | 409617.AE | 8440597 | Spout, complete, chrome |
| 1 | 409617.25AE | 8440605 | Spout, complete, rustic brass |
| 1 | 409617.66AE | 8440606 | Spout, complete, raw brass |
| 1 | 409617.80AE | 8440607 | Spout, complete, chrome/grooved |
| 2 | 139783.AE | 8281546 | Aerator inlet, 20–24 l/min at 300 kPa |
| 3 | 409618.AE | 8281549 | Housing M22 int., chrome |
| 3 | 409618.25AE | 8281551 | Housing M22 int., rustic brass |
| 3 | 409618.66AE | 8281552 | Housing M22 int., raw brass |
| 3 | 409618.80AE | 8281553 | Housing M22 int., chrome/grooved |
| 4 | 409619.AE | 8443252 | On/off- and temperature handle, chrome |
| 4 | 409619.25AE | 8443253 | On/off- and temperature handle, rustic brass |
| 4 | 409619.66AE | 8443254 | On/off- and temperature handle, raw brass |
| 4 | 409619.80AE | 8443255 | On/off- and temperature handle, chrome/grooved |
| 5 | 209010.AE | | Stop ring |
| 6 | 729219.AE | | Thermostatic cartridge |
| 7 | 209011.AE | | Stop ring, reversible |

| NO. | ART NO. | RSK | DESCRIPTION |
|-----|-------------|---------|---|
| 8 | 709011.AE | 8387090 | Ceramic headwork, reversible |
| 9 | 139785.AE | 8199136 | Hand shower, chrome |
| 9 | 139785.25AE | 8275468 | Hand shower, rustic brass |
| 9 | 139785.66AE | 8275469 | Hand shower, raw brass |
| 10 | 131170.AE | 8251927 | Shower hose in metal, 1750 mm, chrome |
| 10 | 409622.AE | 8251992 | Shower hose in metal, 1750 mm, black |
| 11 | 409623.AE | 8221828 | Hand shower holder, chrome |
| 11 | 409623.25AE | 8221838 | Hand shower holder, rustic brass |
| 11 | 409623.66AE | 8221839 | Hand shower holder, raw brass |
| 12 | 409621.AE | 8295449 | Limitation segment, basin, for fixed spout |
| 13 | 891096.AE | 8345921 | Service tool |
| 14 | 409360.AA | 8187781 | Inlet connector 150 c/c (left-handed thread), retail packed |
| 14 | 409361.AE | 8228492 | Inlet connector 160 c/c |
| 15 | 209604.AE | | Filters, 2 pcs |