



## MORA INXX II bath mixer

With its durable, elegant brushed brass finish and hand shower with a large, round nozzle, makes this mixer look great and gives a truly relaxing baths. The INXX II collection offers a world-class water experience with constant temperature, high comfort and effective scald protection. The mixer has been tested and approved according to current building regulations and is energy-efficient, which means it reduces water and energy use without compromising on comfort.

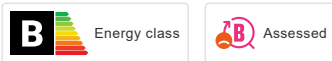
### About the collection

INXX II is an elegant, timeless collection in a palette of carefully selected colours. Offering a combination of high quality, sober design and outstanding comfort, this is the ultimate collection.

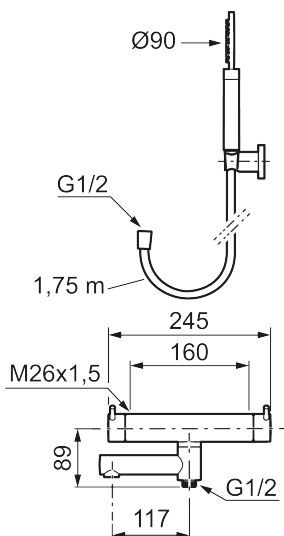
**Article number:** 270000.62 **Flow 3 bar:** 20.0 l/m

**Description:** Brushed brass PVD, 160 c/c

### Unique characteristics



Backflow protection unit type **EB**



- With hand shower, holder and hose in metal, PVC- and BPA-free
- Swivel spout with built-in diverter
- Pressure balanced thermostatic mixer
- Temperature handle with safety stop at 38°C
- With Eco-function
- Approved non-return valves, EN-Standard EN1717

PRODUCT DESCRIPTION

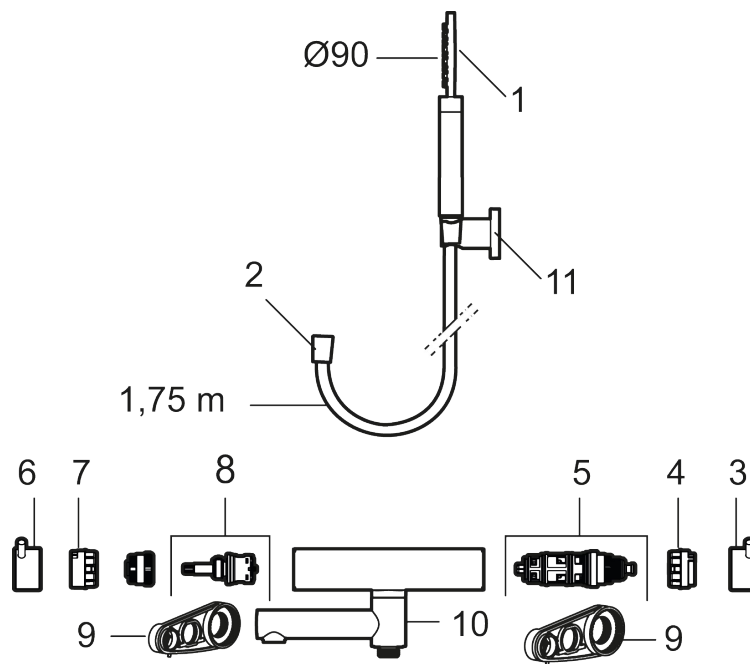
# MORA INXX II bath mixer

With its durable, elegant brushed brass finish and hand shower with a large, round nozzle, makes this mixer looks great and gives a truly relaxing baths. The INXX II collection offers a world-class water experience with constant temperature, high comfort and effective scald protection. The mixer has been tested and approved according to current building regulations and is energy-efficient, which means it reduces water and energy use without compromising on comfort.

### About the collection

INXX II is an elegant, timeless collection in a palette of carefully selected colours. Offering a combination of high quality, sober design and outstanding comfort, this is the ultimate collection.

Article number: 270000.62



### Sparepartlist

| NO. | ART NO.   | RSK     | DESCRIPTION                           |
|-----|-----------|---------|---------------------------------------|
| 1   | 209575    | 8275496 | Hand shower, chrome                   |
| 1   | 209575.12 | 8275497 | Hand shower, matte black              |
| 1   | 209575.22 | 8275498 | Hand shower, matte white              |
| 1   | 209575.44 | 8275499 | Hand shower, matte grey               |
| 1   | 209575.60 | 8275500 | Hand shower, polished brass PVD       |
| 1   | 209575.62 | 8275501 | Hand shower, brused brass PVD         |
| 2   | 131170.AE | 8251927 | Shower hose in metal, 1750 mm, chrome |

| NO. | ART NO.     | RSK     | DESCRIPTION  |
|-----|-------------|---------|--|
| 2   | 131170.12AE | 8251999 | Shower hose in metal, 1750 mm, matte black   |
| 2   | 131170.22AE | 8252000 | Shower hose in metal, 1750 mm, matte white   |
| 2   | 131170.44AE | 8252001 | Shower hose in metal, 1750 mm, matte grey  |
| 2   | 131170.60AE | 8252002 | Shower hose in metal, 1750 mm, polished brass PVD                                    |
| 2   | 131170.62AE | 8252003 | Shower hose in metal, 1750 mm, brused brass PVD                                      |
| 3   | 409710.AE   | 8218902 | Temperature handle, chrome   |
| 3   | 409710.12AE | 8218903 | Temperature handle, matte black  |
| 3   | 409710.22AE | 8218904 | Temperature handle, matte white  |
| 3   | 409710.44AE | 8218905 | Temperature handle, matte grey   |
| 3   | 409710.60AE | 8218906 | Temperature handle, polished brass PVD   |
| 3   | 409710.62AE | 8218907 | Temperature handle, brused brass PVD   |
| 4   | S600023     | 8439703 | Stop ring  |
| 5   | S600019     | 8439702 | Thermostatic cartridge, complete, with service tool                                  |
| 6   | 409711.AE   | 8218901 | Temperature handle, chrome   |
| 6   | 409711.12AE | 8218908 | Temperature handle, matte black  |
| 6   | 409711.22AE | 8218909 | Temperature handle, matte white  |
| 6   | 409711.44AE | 8218910 | Temperature handle, matte grey   |
| 6   | 409711.60AE | 8218911 | Temperature handle, polished brass PVD   |
| 6   | 409711.62AE | 8218912 | Temperature handle, brused brass PVD   |
| 7   | S600024     | 8439705 | Stop ring, reversible  |
| 8   | S600021     | 8441463 | Ceramic headwork, with service tool (bath mixer)                                     |
| 8   | S600270     | 8387233 | Ceramic headwork, without tool (bath mixer)  |
| 9   | S600298     | 3870203 | Service tool   |
| 10  | S600161     | 8440630 | Swivel spout, for coversion of shower mixer to bath/shower mixer, chrome             |
| 10  | S600161.12  | 8440631 | Swivel spout, for coversion of shower mixer to bath/shower mixer, matte black        |
| 10  | S600161.22  | 8440632 | Swivel spout, for coversion of shower mixer to bath/shower mixer, matte white        |
| 10  | S600161.44  | 8440633 | Swivel spout, for coversion of shower mixer to bath/shower mixer, matte grey         |
| 10  | S600161.60  | 8440634 | Swivel spout, for coversion of shower mixer to bath/shower mixer, polished brass PVD |
| 10  | S600161.62  | 8440635 | Swivel spout, for coversion of shower mixer to bath/shower mixer, brushed brass PVD  |
| 11  | S600256     | 8239634 | Hand shower holder, chrome   |
| 11  | S600256.12  | 8239635 | Hand shower holder, matte black  |
| 11  | S600256.60  | 8239638 | Hand shower holder, polished brass PVD   |
| 11  | S600256.62  | 8239639 | Hand shower holder, brushed brass PVD  |