



MORA INXX II bath mixer

With its durable matt grey finish and hand shower with a large, round nozzle, makes this mixer looks great and gives a truly relaxing baths. The INXX II collection offers a world-class water experience with constant temperature, high comfort and effective scald protection. The mixer has been tested and approved according to current building regulations and is energy-efficient, which means it reduces water and energy use without compromising on comfort.

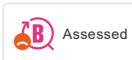
About the collection

INXX II is an elegant, timeless collection in a palette of carefully selected colours. Offering a combination of high quality, sober design and outstanding comfort, this is the ultimate collection.

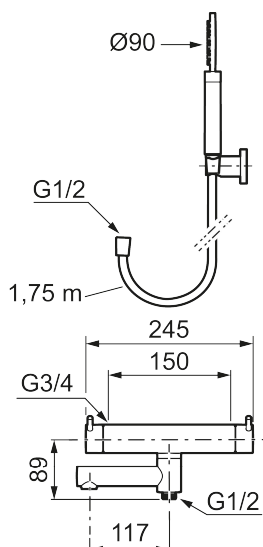
Article number: 270100.44 Flow 3 bar: 20.0 l/m

Description: Matte grey, 150 c/c

Unique characteristics



Backflow protection unit type 



- With hand shower, holder and hose in metal, PVC- and BPA-free
- Swivel spout with built-in diverter
- Pressure balanced thermostatic mixer
- Temperature handle with safety stop at 38°C
- With Eco-function
- Approved non-return valves, EN-Standard EN1717

PRODUCT DESCRIPTION

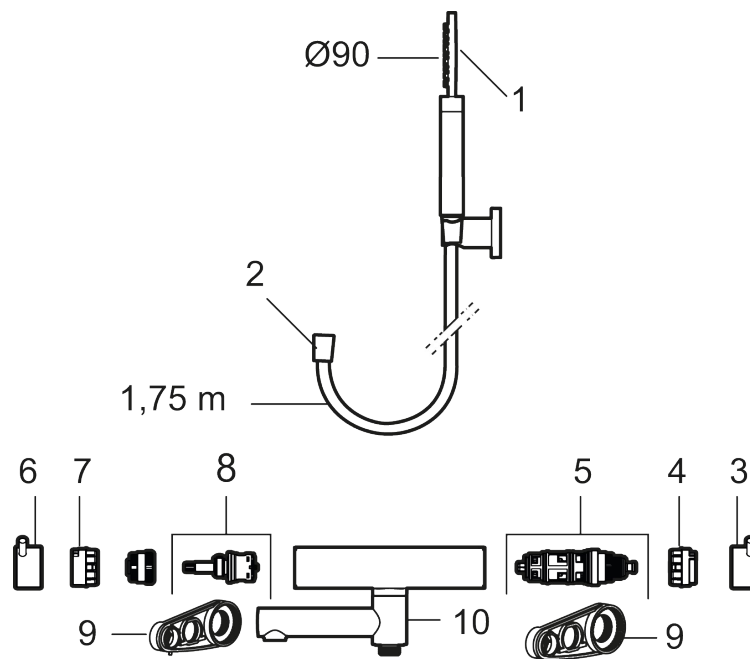
MORA INXX II bath mixer

With its durable matt grey finish and hand shower with a large, round nozzle, makes this mixer looks great and gives a truly relaxing baths. The INXX II collection offers a world-class water experience with constant temperature, high comfort and effective scald protection. The mixer has been tested and approved according to current building regulations and is energy-efficient, which means it reduces water and energy use without compromising on comfort.

About the collection

INXX II is an elegant, timeless collection in a palette of carefully selected colours. Offering a combination of high quality, sober design and outstanding comfort, this is the ultimate collection.

Article number: 270100.44



Sparepartlist

| NO. | ART NO. | RSK | DESCRIPTION |
|-----|-----------|---------|---------------------------------|
| 1 | 209575 | 8275496 | Hand shower, chrome |
| 1 | 209575.12 | 8275497 | Hand shower, matte black |
| 1 | 209575.22 | 8275498 | Hand shower, matte white |
| 1 | 209575.44 | 8275499 | Hand shower, matte grey |
| 1 | 209575.60 | 8275500 | Hand shower, polished brass PVD |
| 1 | 209575.62 | 8275501 | Hand shower, brused brass PVD |

| NO. | ART NO. | RSK | DESCRIPTION |
|-----|-------------|---------|--|
| 2 | 131170.AE | 8251927 | Shower hose in metal, 1750 mm, chrome |
| 2 | 131170.12AE | 8251999 | Shower hose in metal, 1750 mm, matte black |
| 2 | 131170.22AE | 8252000 | Shower hose in metal, 1750 mm, matte white |
| 2 | 131170.44AE | 8252001 | Shower hose in metal, 1750 mm, matte grey |
| 2 | 131170.60AE | 8252002 | Shower hose in metal, 1750 mm, polished brass PVD |
| 2 | 131170.62AE | 8252003 | Shower hose in metal, 1750 mm, brused brass PVD |
| 3 | 409710.AE | 8218902 | Temperature handle, chrome |
| 3 | 409710.12AE | 8218903 | Temperature handle, matte black |
| 3 | 409710.22AE | 8218904 | Temperature handle, matte white |
| 3 | 409710.44AE | 8218905 | Temperature handle, matte grey |
| 3 | 409710.60AE | 8218906 | Temperature handle, polished brass PVD |
| 3 | 409710.62AE | 8218907 | Temperature handle, brused brass PVD |
| 4 | S600023 | 8439703 | Stop ring |
| 5 | S600019 | 8439702 | Thermostatic cartridge, complete, with service tool |
| 6 | 409711.AE | 8218901 | Temperature handle, chrome |
| 6 | 409711.12AE | 8218908 | Temperature handle, matte black |
| 6 | 409711.22AE | 8218909 | Temperature handle, matte white |
| 6 | 409711.44AE | 8218910 | Temperature handle, matte grey |
| 6 | 409711.60AE | 8218911 | Temperature handle, polished brass PVD |
| 6 | 409711.62AE | 8218912 | Temperature handle, brused brass PVD |
| 7 | S600024 | 8439705 | Stop ring, reversible |
| 8 | S600021 | 8441463 | Ceramic headwork, with service tool (bath mixer) |
| 9 | 891096.AE | 8345921 | Service tool |
| 10 | S600161 | 8440630 | Swivel spout, for coversion of shower mixer to bath/shower mixer, chrome |
| 10 | S600161.12 | 8440631 | Swivel spout, for coversion of shower mixer to bath/shower mixer, matte black |
| 10 | S600161.22 | 8440632 | Swivel spout, for coversion of shower mixer to bath/shower mixer, matte white |
| 10 | S600161.44 | 8440633 | Swivel spout, for coversion of shower mixer to bath/shower mixer, matte grey |
| 10 | S600161.60 | 8440634 | Swivel spout, for coversion of shower mixer to bath/shower mixer, polished brass PVD |
| 10 | S600161.62 | 8440635 | Swivel spout, for coversion of shower mixer to bath/shower mixer, brushed brass PVD |