



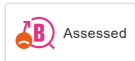
MORA CERA duo miniprofi kitchen mixer


Mora CeraDuo miniprofi brings the benefits from a professional restaurant kitchen to your private home. The sensor function makes the mixer more hygienic as well as watersaving and environmentalfriendly. A convenient cleaning mode, and a removable nozzle with two spray-modes are included. Mora Cera Duo miniprofi makes your life in the kitchen easier, more environmentalfriendly and best of all- more good looking.

Article number: 242402 Flow 3 bar: 9.1 l/m

Description: Chrome, battery operation, included battery

Unique characteristics



Backflow protection unit type 

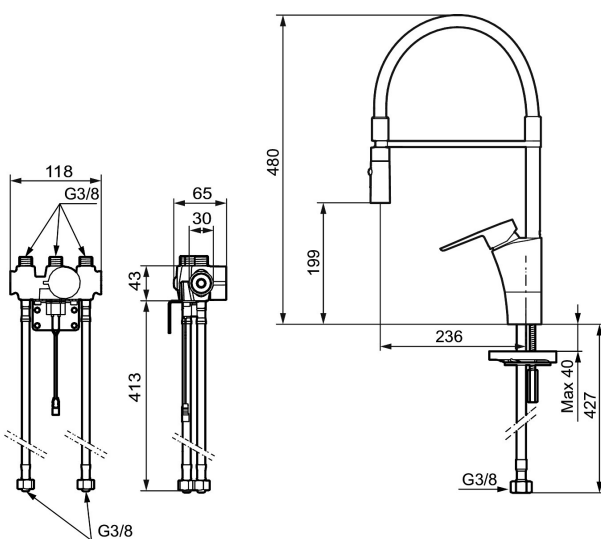
- ESS (energy saving system)
- Ceramic cartridge with soft closing function
- Swivel spout 60°, 85°, 110° or 360° (limitation part for 60° or 110° included)
- Nozzle with concentrated jet and hand shower
- Flush Timeout - safety shut-off to prevent flooding
- Can be turned off for 5 min. (eg for cleaning)
- Low power consumption - Long life
- IP class sensor, IP67
- Approved non-return valves, EN-Standard EN1717

Installation:

- Automatic sensor calibration
- All models can be adapted for either battery 6V or mains operation 12V AC/DC
- For mains operation requires installation of the adapter kit art.no. S600147
- Soft PEX® hoses with 3/8" connecting nut (stainless steel braided)
- Hole diameter Ø34-37 mm

Settings:

- Programmable detection distance
- Adjustable flush time

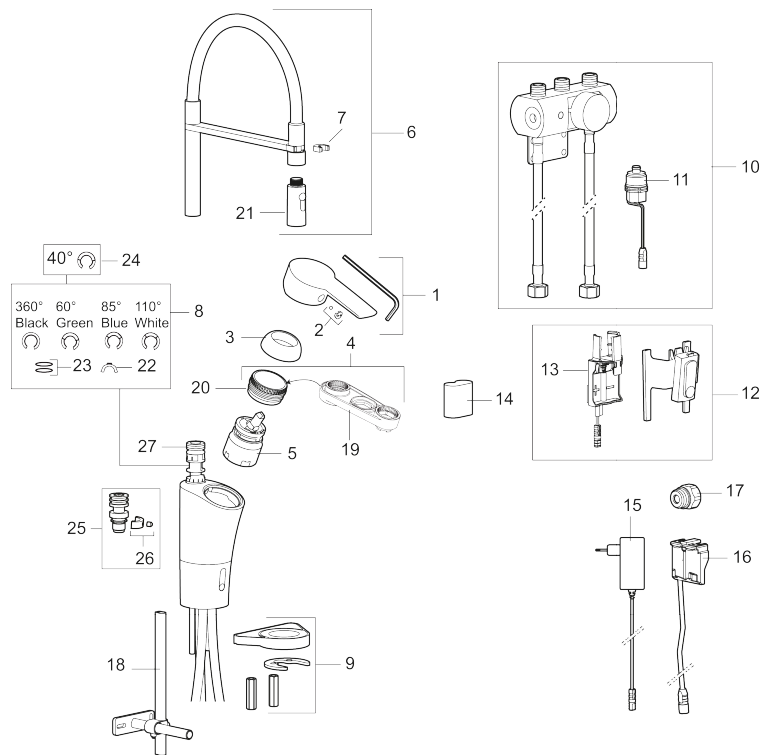


PRODUCT DESCRIPTION

MORA CERA duo miniprofi kitchen mixer

Mora CeraDuo miniprofi brings the benefits from a professional restaurant kitchen to your private home. The sensor function makes the mixer more hygienic as well as watersaving and environmentalfriendly. A convenient cleaning mode, and a removable nozzle with two spray-modes are included. Mora Cera Duo miniprofi makes your life in the kitchen easier, more environmentalfriendly and best of all- more good looking.

Article number: 242402



Sparepartlist

NO.	ART NO.	RSK	DESCRIPTION
1	409600.AE	8345186	Lever, complete
2	409392.AE	8344866	Colour marking and mounting screw for lever
3	409391.AE	8344865	Cover nut
4	409393.AE	8345179	Lock nut for cartridge, incl service tool
5	S600273	8387230	Ceramic cartridge with service tool, cold start (green ring)
6	S600059	8394011	Spout, complete, chrome
7	S600061	8393993	Spout mount
8	S600299	8387254	Limitation segment
9	S600159	8387097	Fastening kit, for kitchen mixer
10	S600327	8398044	Mixing valve

NO.	ART NO.	RSK	DESCRIPTION
11	S600277	8398040	Solenoid valve
12	S600166	8387157	Sensor
13	S600325	8398043	Battery holder
14	S600135	8483191	Battery
15	S600129	8483188	Power supply 12V
16	S600131	8483190	AC adapter
17	S600141	8229257	Transition nipple
18	S600308	8387263	Stabilizer kit
19	S600298	3870203	Service tool
20	439060.AE	8295361	Lock nut
21	S600060	8394012	Nozzle
22	309519.AE	8295318	Fixed plug, 2 pcs (black/grey)
23	708843.AE	8295357	O-ring (15,54 x 2,62), 2 pcs
24	209543.AE	8346916	Limitation segment 40°
25	109016.AE	8295331	Spout nipple, complete, for fixed spout
26	139595.AE	8295313	Stop screw with limitation segment
27	S600018	8394128	Spout nipple, complete