



## MORA INXX II soft kitchen mixer

With its durable, elegant brushed nickel finish and soft lines, the INXX II soft kitchen mixer lends luxury and elegance to your kitchen. The mixer has been tested and approved according to current building regulations and is energy-efficient, which means it reduces water and energy use without compromising on comfort.

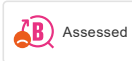
### About the collection


INXX II is an elegant, timeless collection in a palette of carefully selected colours. Offering a combination of high quality, sober design and outstanding comfort, this is the ultimate collection.

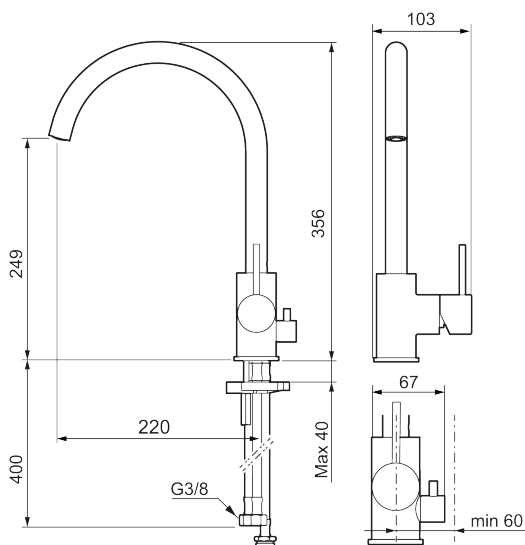
Article number: 272151.76CA Flow 3 bar: 6.0 l/m

Description: Brushed nickel

### Unique characteristics



Backflow protection unit type 



- Ceramic cartridge
- Adjustable flow control and temperature limiter
- Eco (energy and water saving constant flow aerator, 6 l/min at 200–600 kPa)
- Soft PEX<sup>®</sup> hoses with 3/8" connecting nut (stainless steel braided)
- Swivel spout, limitation part for 60°, 85°, 110° or 360° included
- With dish washer valve CW, not adjustable to HW
- Hole diameter Ø34-37 mm