




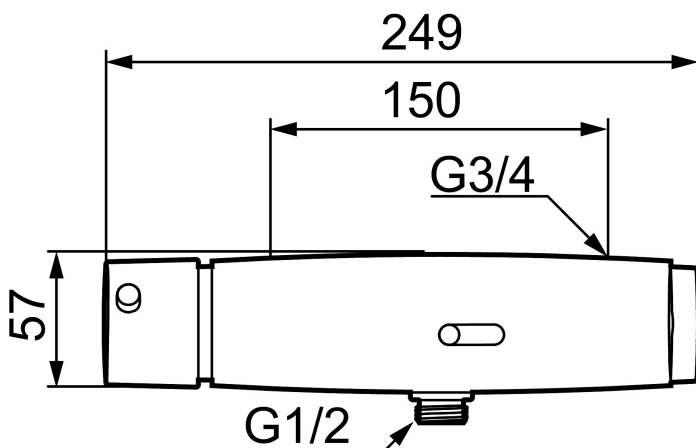
MORA tronic WMS, shower mixer, battery operation

Article number: 720323

Description: Chrome

Uniqe characteristics

Backflow protection unit type 



- WMS-mixers with possibilities of wireless connection (subscription is required)
- Adjustable hygiene flushing, intervals and rinsing time (to avoid stagnant water)
- Logging of all flushings with point of time, water consumption and temperature for individual mixer or group of mixers (minimum, maximum and average values)
- Battery monitoring
- Built-in temperature measurements of mixed water temperature
- Programmable temperature stop, the mixer will turn off directly at set maximum temperature
- With shower connection down
- Thermostatic function
- Temperature handle with safety stop at 38°C
- Adjustable maximum temperature, pre-set to 42°C
- Soft closing solenoid valve
- Safe against vandalism, complete in metal
- The mixer is activated by holding a hand or a finger against the ring on the sensor. The mixer will run for 1 minute after being activated, the sensor will then recognize the individual and continue to run as long as there is someone in front of the mixer.
- After a total of a 3 minutes shower, it will turn off automatically. If the person leaves the area in front of the shower it will turn off after 20 seconds. While showering the mixer can be manually turned off by holding a hand or a finger against the ring on the sensor
- Flush Timeout - safety shut-off to prevent flooding, maximum of 5 minutes
- Can be turned off by solenoid valve (eg for cleaning)
- Low power consumption - Long life
- Equipped with system for thermal disinfection against legionella
- Battery operation, can be converted to mains operation

- IP class sensor, IP67
- Approved non-return valves, EN-Standard EN1717

Installation:

- Note! Gateway and a subscription is required for WMS
- Automatic sensor calibration
- Easy to change battery, without turning off the water supply
- Mains operation requires installation of the AC adapter art.no. S600132 and power supply art.no. S600129, alternatively transformer art.no. S600128

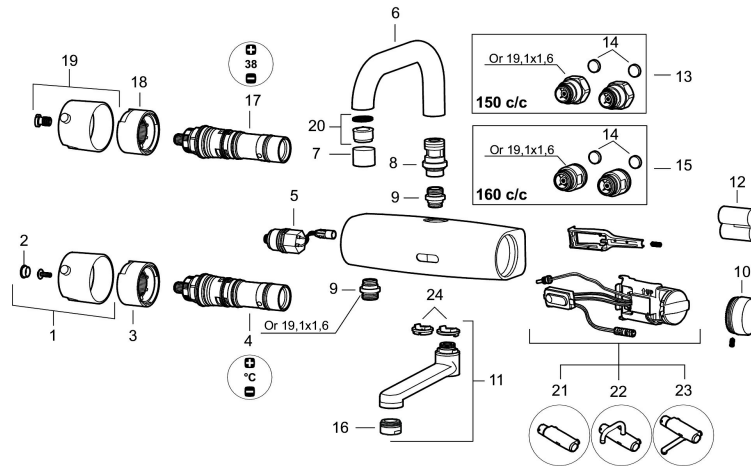
Settings:

- Adjustable max temperature
- With Gateway and WMS:
 - Hygiene flushing with adjustable time and intervals
 - Initiate hot water rinsing
 - Programming of rinsing times, temperature alarm och temperature stops
 - Alert signal if exceeding the time limit for stagnant water (the latest flushing)

PRODUCT DESCRIPTION

MORA tronic WMS, shower mixer, battery operation

Article number: 720323



Sparepartlist

NO.	ART NO.	RSK	DESCRIPTION
1	209611.AE		On/off handle, complete (for basin mixer)
2	409373.AE		End cover
3	209610.AE		Stop ring (for basin mixer)
4	729555		Mixing valve (for basin mixer), Lead Free
4	16280100		Mixing valve (for basin mixer)
5	729455.AE	8553561	Solenoid valve
6	209608		Spout
7	131410.AE	8281509	Housing M22 int.
8	209607.AE		Nipple
9	409365.AE	8187026	Nipple M18x1 - G1/2
10	729459.AE		Cover plug for battery, black
11	459558		Spout
12	S600135	8483191	Battery
13	209605.AE		Inlet connectors 150 c/c (left-handed thread)
14	209604.AE		Filters, 2 pcs
15	209606.AE		Inlet connectors 160 c/c
16	131356.AE	8281499	Aerator M24 ext.
17	729556		Thermostatic unit (for shower- and hospital mixer)
18	209620.AE		Stop ring (for shower- and hospital mixer)

NO.	ART NO.	RSK	DESCRIPTION
19	209621.AE		On/off handle, complete (for shower- and hospital mixer)
20	132205.AE	8281441	Aerator insert, 5 l/min at 200–600 kPa
21	729462.AE		Electronic unit WMS (for shower mixer)
22	729463.AE		Electronic unit WMS (for mixer with overhead spout)
23	729464.AE		Electronic unit WMS (for mixer with underlying spout)
24	729467.AE		Limitation segment (for mixer with underlying spout)