



MORA ONE shower system

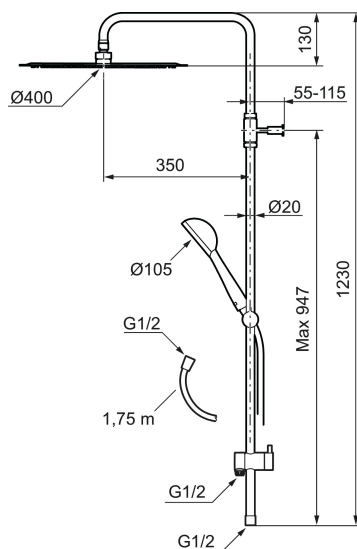
Technical innovation, craftsmanship and design go hand in hand in the Mora One series. The shower lifts the entire bathroom and guarantees a relaxing experience needed in the stress of everyday life. Thomas Sandell, architect and designer, has created a sober and elegant series of mixers gently expressing usability, beauty and durability. Mora One is available as a shower and head shower set, or as a complete shower system kit including shower or bath mixer.

Article number: 130017 Flow 3 bar: 20.0 l/m

Description: Chrome

Unique characteristics

- Diverter with ceramic cartridge
- Shower hose in metal, PVC- and BPA-free
- With Easy-Clean anti-limescale system
- Shower bar can be shortened if required
- Connection with G1/2
- Diverter can be mounted with lever pointing in chosen direction
- Hand shower 9 l/min, shower head 20 l/min

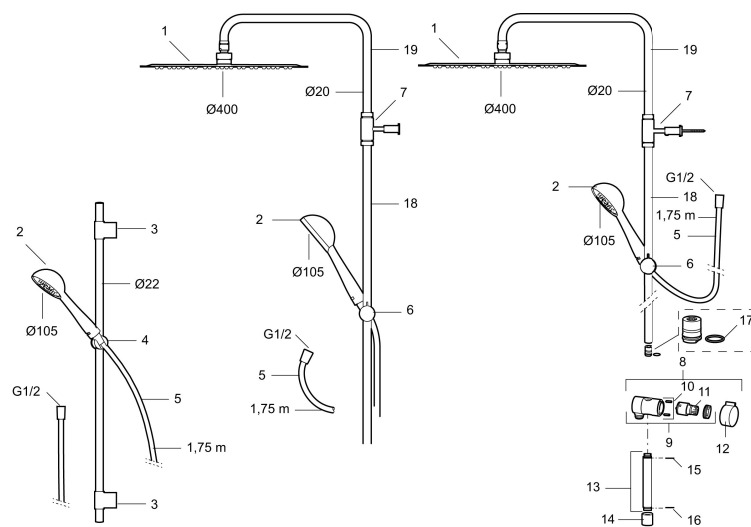


PRODUCT DESCRIPTION

MORA ONE shower system

Technical innovation, craftsmanship and design go hand in hand in the Mora One series. The shower lifts the entire bathroom and guarantees a relaxing experience needed in the stress of everyday life. Thomas Sandell, architect and designer, has created a sober and elegant series of mixers gently expressing usability, beauty and durability. Mora One is available as a shower and head shower set, or as a complete shower system kit including shower or bath mixer.

Article number: 130017



Sparepartlist

NO.	ART NO.	RSK	DESCRIPTION
1	209566	8237323	Shower head 400 mm
2	130349	8275276	Hand shower
3	409435.AE		Wall bracket
4	130363.AE	8762730	Slider
5	131170.AE	8251927	Shower hose in metal, 1750 mm, chrome
6	139901.AA	8762736	Slider, chrome, retail packed
7	409590.AE	8221731	Clip for shower bar, chrome
8	409422	8541659	Diverter, complete
9	409430.AE	8541683	Diverter
10	139812.AE	8295323	Stop screw M5x20
11	409417.AA	8541628	Cartridge for diverter
12	409443.AE	8295326	Handle for diverter
13	209549.AE	8180946	Connecting pipe

NO.	ART NO.	RSK	DESCRIPTION
14	209291.AE	8295321	Transition nipple G1/2 - M18x1
15	309246.AE	8295312	O-ring (13,1 x 1,6)
16	609029.AE	8295315	O-ring (16,1 x 1,6)
17	639173.AE	8295314	Gasket (2 pcs)
18	209648.AE	8217836	Lower bar, chrome
19	209650.AE	8217835	Upper bar