



MORA INXX II miniprofi kitchen mixer

With its durable, trendy polished brass finish and contemporary look, the INXX II miniprofi is a strikingly tall mixer perfect for open-plan kitchens. The mixer has been tested and approved according to current building regulations and is energy-efficient, which means it reduces water and energy use without compromising on comfort.

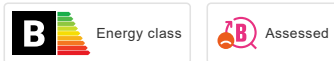
About the collection

INXX II is an elegant, timeless collection in a palette of carefully selected colours. Offering a combination of high quality, sober design and outstanding comfort, this is the ultimate collection.

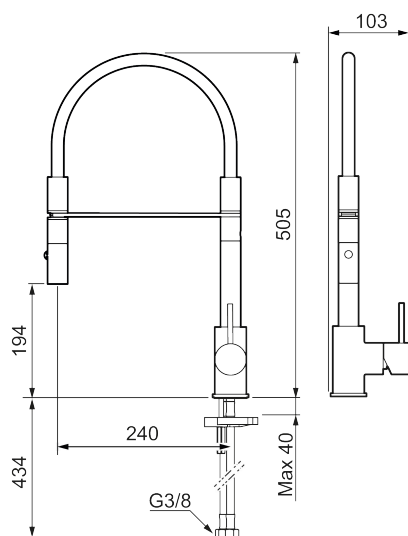
Article number: 272081.60CA **Flow 3 bar:** 6.0 l/m

Description: Polished brass PVD

Unique characteristics



Backflow protection unit type **EB**



- Nozzle with two spray patterns (normal and rinse)
- Ceramic cartridge
- Adjustable flow control and temperature limiter
- Swivel spout, limitation part for 60°, 85°, 110° or 360° included
- Soft PEX® hoses with 3/8" connecting nut (stainless steel braided)
- Approved non-return valves, EN-Standard EN1717
- Hole diameter Ø34-37 mm

PRODUCT DESCRIPTION

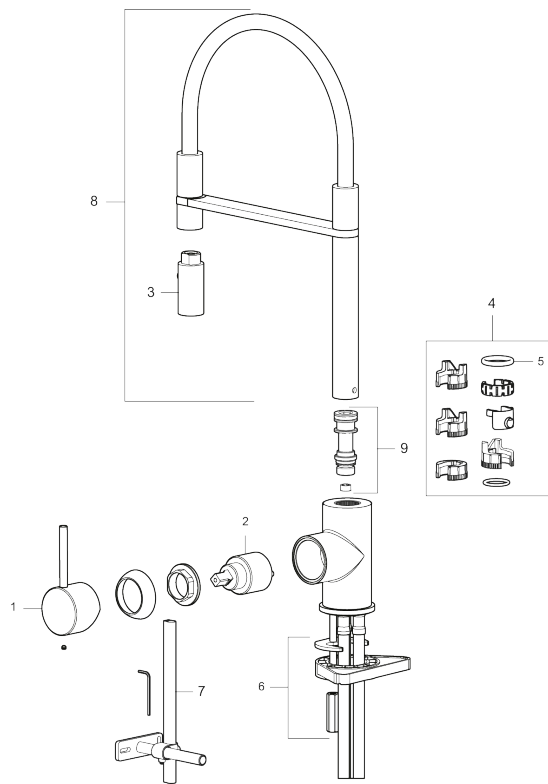
MORA INXX II miniprofi kitchen mixer

With its durable, trendy polished brass finish and contemporary look, the INXX II miniprofi is a strikingly tall mixer perfect for open-plan kitchens. The mixer has been tested and approved according to current building regulations and is energy-efficient, which means it reduces water and energy use without compromising on comfort.

About the collection

INXX II is an elegant, timeless collection in a palette of carefully selected colours. Offering a combination of high quality, sober design and outstanding comfort, this is the ultimate collection.

Article number: 272081.60CA



Sparepartlist

| NO. | ART NO. | RSK | DESCRIPTION |
|-----|-------------|---------|-------------------------------------|
| 1 | 409700.AE | 8394069 | Lever, complete, chrome |
| 1 | 409700.12AE | 8394070 | Lever, complete, matte black |
| 1 | 409700.22AE | 8394071 | Lever, complete, matte white |
| 1 | 409700.44AE | 8394072 | Lever, complete, matte grey |
| 1 | 409700.60AE | 8394073 | Lever, complete, polished brass PVD |
| 1 | 409700.62AE | 8394074 | Lever, complete, brushed brass PVD |
| 1 | 409700.76AE | 8394075 | Lever, complete, brushed nickel |

| NO. | ART NO. | RSK | DESCRIPTION |
|-----|-------------|---------|-------------------------------------|
| 2 | 409702.AE | 8437059 | Ceramic cartridge |
| 3 | S600057 | 8387150 | Nozzle, chrome |
| 3 | S600057.12 | 8387151 | Nozzle, matte black |
| 3 | S600057.22 | 8387152 | Nozzle, matte white |
| 3 | S600057.44 | 8387153 | Nozzle, matte grey |
| 3 | S600057.60 | 8387154 | Nozzle, polished PVD |
| 3 | S600057.62 | 8387155 | Nozzle, brushed PVD |
| 3 | S600057.76 | 8387156 | Nozzle, brushed nickel |
| 4 | 209565.AE | | Limitation segment |
| 5 | 708843.AE | 8295357 | O-ring (15,54 x 2,62), 2 pcs |
| 6 | S600055 | | Fastening details |
| 7 | S600308 | 8387263 | Stabilizer kit |
| 8 | 409714.AE | 8441041 | Spout, complete, chrome |
| 8 | 409714.12AE | 8441042 | Spout, complete, matte black |
| 8 | 409714.22AE | 8441043 | Spout, complete, matte white |
| 8 | 409714.44AE | 8441044 | Spout, complete, matte grey |
| 8 | 409714.60AE | 8441045 | Spout, complete, polished brass PVD |
| 8 | 409714.62AE | 8441046 | Spout, complete, brushed brass PVD |
| 8 | 409714.76AE | 8441047 | Spout, complete, brushed nickel |
| 9 | S600231 | | Spout nipple, complete |