



MORA CERA K2 kitchen mixer

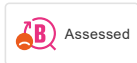
In today's families, the kitchen is a space for socialising and creativity. A modern kitchen mixer must look good, work perfectly and promote a high level of hygiene and safety. That's why Mora Cera offers the things that everyone wants in their kitchen: thoughtfulness and quality time.

Article number: 245031 Flow 3 bar: 9.8 l/m

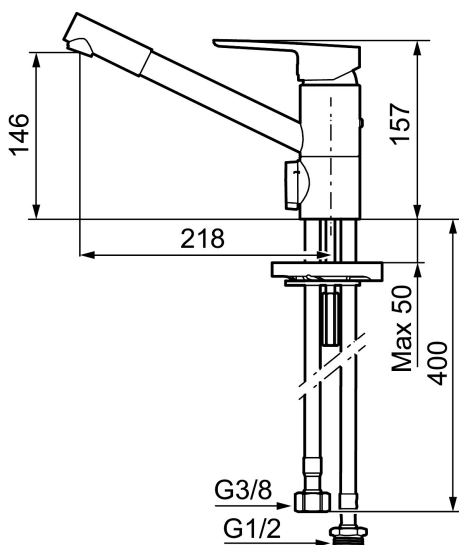
Description: Chrome

- ESS (energy saving system)
- Ceramic cartridge with soft closing function
- Adjustable flow control and temperature limiter
- Eco (energy and water saving aerator)
- Soft PEX[®] hoses with 3/8" connecting nut (stainless steel braided)
- Swivel spout 110°
- With dishwasher valve, switchable between cold and hot water. Pre-set on cold water
- Hole diameter Ø34-37 mm

Unique characteristics



Backflow protection unit type

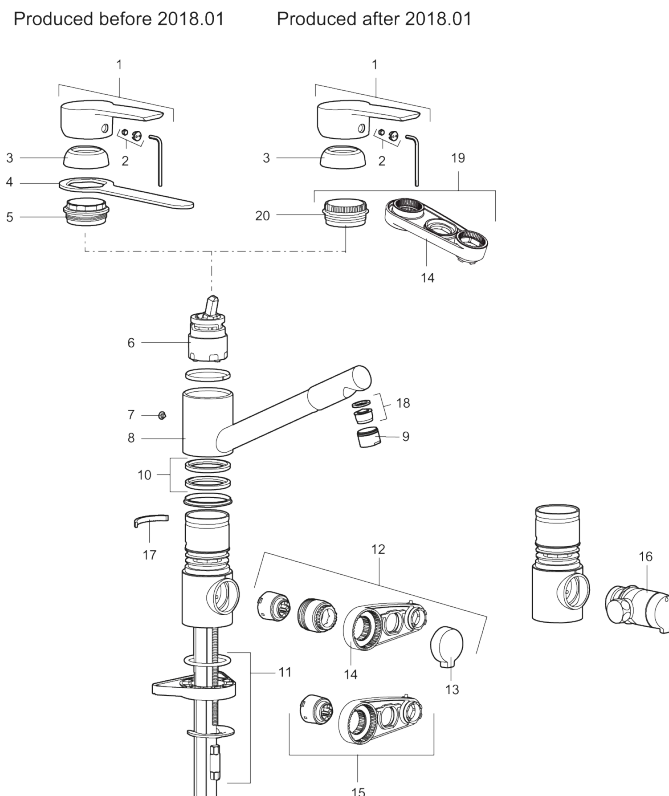


PRODUCT DESCRIPTION

MORA CERA K2 kitchen mixer

In today's families, the kitchen is a space for socialising and creativity. A modern kitchen mixer must look good, work perfectly and promote a high level of hygiene and safety. That's why Mora Cera offers the things that everyone wants in their kitchen: thoughtfulness and quality time.

Article number: 245031



Sparepartlist

NO.	ART NO.	RSK	DESCRIPTION
1	409600.AE	8345186	Lever, complete
2	409392.AE	8344866	Colour marking and mounting screw for lever
3	409391.AE	8344865	Cover nut
4	891099.AE	8592423	Key
5	409610.AE	8241743	Lock nut for cartridge
6	409403.AE	8345132	Ceramic cartridge, incl service tool
7	409611.AE	8241744	Stop screw
8	409685	8242427	Swivel spout, complete with jet concentrator
9	131417.AE	8281513	Housing M24 ext., 17 mm
10	409612.AE	8241745	Sealing rings (2 pcs)
11	409457.AE		Fastening details for mixers without on/off valve

NO.	ART NO.	RSK	DESCRIPTION
11	409458.AE		Fastening details for mixers with on/off valve
12	409104.AE	8322314	Dishwasher isolator cartridge, incl. service tool
13	409400.AE	8345180	Handle for dish washer connection
14	891096.AE	8345921	Service tool
15	209504.AE	8346905	Ceramic cartridge for dish washer connection CW/HW, incl. service tool
16	409399.AE	8347223	Rebuild.kit for dish washer
17	209558.AE	8346933	Limitation clamp for fixed spout and swivel 30-90°
18	131398.AE	8281493	Aerator insert, 9–11 l/min at 300 kPa
19	409393.AE	8345179	Lock nut for cartridge, incl service tool
20	439060.AE	8295361	Lock nut