



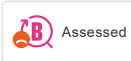
MORA REXX B5 basin mixer

With their simple, minimalist design, Mora REXX mixers are the essence of Scandinavian design and functionality. Their innovation lies in their precision. When tradition and craftsmanship meet state-of-the-art manufacturing methods and inspiring design, the result is Mora REXX. The version shown here is a beautiful basin mixer with intelligent functionality and a pop-up waste.

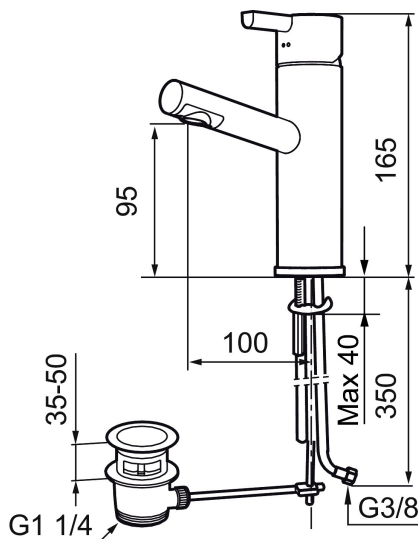
Article number: 707155.0011 **Flow 3 bar:** 7.0 l/m

Description: Chrome/black

Unique characteristics



Backflow protection unit type



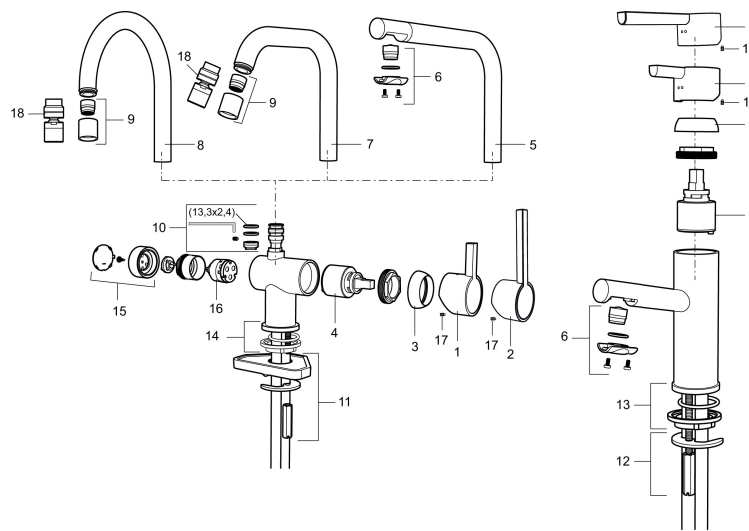
- With pop-up waste
- ESS (energy saving system)
- Ceramic cartridge
- Adjustable flow control and temperature limiter
- Soft PEX[®] hoses with 3/8" connecting nut (stainless steel braided)
- Hole diameter Ø32-37 mm (Ø32-35 mm recommended)

PRODUCT DESCRIPTION

MORA REXX B5 basin mixer

With their simple, minimalist design, Mora REXX mixers are the essence of Scandinavian design and functionality. Their innovation lies in their precision. When tradition and craftsmanship meet state-of-the-art manufacturing methods and inspiring design, the result is Mora REXX. The version shown here is a beautiful basin mixer with intelligent functionality and a pop-up waste.

Article number: 707155.0011



Sparepartlist

| NO. | ART NO. | RSK | DESCRIPTION |
|-----|---------------|---------|--|
| | 209560.AC | 8345784 | Rubber gasket for Soft-PEX® pipe 3/8, 10-pcs |
| 1 | 209500.AE | 8346901 | Handle, chrome |
| 1 | 209500.0011AE | 8346917 | Handle, chrome/black |
| 2 | 409337 | 8346503 | Care-handle, chrome |
| 3 | 209501.AE | 8346902 | Cover nut, chrome |
| 4 | 209493.AE | 8345204 | Ceramic cartridge, ESS |
| 4 | 708301.AE | 8345093 | Ceramic cartridge |
| 5 | 209506.AE | 8346907 | L-spout, complete, chrome |
| 5 | 209506.0011AE | 8326728 | L-spout, complete, chrome/black |
| 6 | 209502.AE | 8346903 | Aerator kit, L-spout, 7,6 l/min at 200–600 kPa, chrome |
| 6 | 209502.0011AE | 8346921 | Aerator kit, L-spout, 7,6 l/min at 200–600 kPa, chrome/black |
| 7 | 209508.AE | 8346909 | J-spout, complete, chrome |
| 8 | 209507.AE | 8346908 | C-spout, complete, chrome |
| 9 | 209503.AE | 8346904 | Aerator M18 int., 7,6 l/min at 200–600 kPa, chrome |

| NO. | ART NO. | RSK | DESCRIPTION |
|-----|-----------|---------|--|
| 10 | 209520.AE | 8346910 | Gasket kit, incl. o-rings, limitation part, screw and wrench |
| 11 | 708779.AE | | Fastening details, kitchen |
| 12 | 209518.AE | 8346911 | Fastening details |
| 13 | 209562.AE | | Locating ring, basin |
| 14 | 209563.AE | 8295335 | Locating ring, kitchen |
| 15 | 209505.AE | 8346906 | Handle for dishwasher connection, chrome |
| 16 | 209504.AE | 8346905 | Ceramic cartridge for dish washer connection CW/HW, incl. service tool |
| 17 | 459013 | | Locking screw |
| 18 | 409480.AE | 8393983 | Aerator M18 int., ball joint, 7–9 l/min at 300 kPa |