



## MORA MMIX K2 kitchen mixer


Mora MMIX combines elegance and ergonomic design with energy-efficiency. Soft geometric curves and a timeless style characterise the entire Mora MMIX range. The mixers were developed according to our unique EcoSafe™ concept focusing on low energy consumption and long-term environmental care.

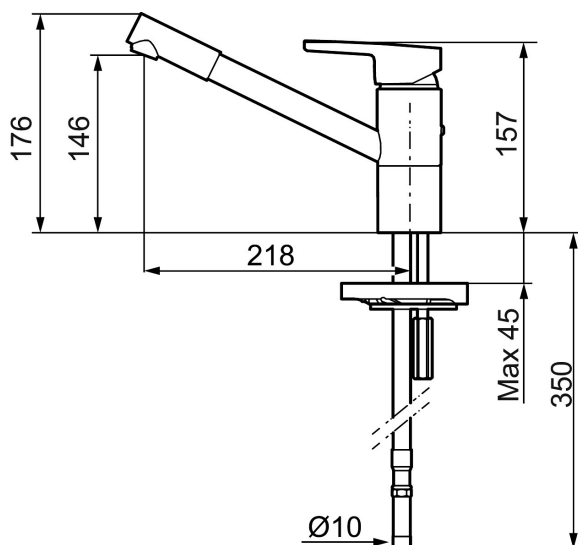
Article number: 732200.TT Flow 3 bar: 9.7 l/m

Description: Chrome, with Turbo-Jet function, connection flat end Ø10 mm

### Unique characteristics



Backflow protection unit type 



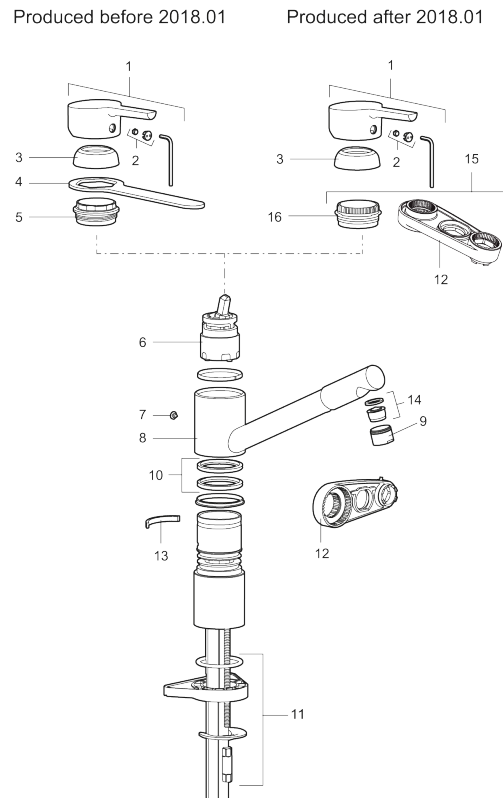
- ESS (energy saving system)
- Ceramic cartridge with soft closing function
- Adjustable flow control and temperature limiter
- Eco (energy and water saving aerator)
- Soft PEX® hoses (stainless steel braided)
- Swivel spout 110°
- Approved by the Rheumatism Association in Sweden
- Lead Free material
- Hole diameter Ø34-37 mm

PRODUCT DESCRIPTION

# MORA MMIX K2 kitchen mixer

Mora MMIX combines elegance and ergonomic design with energy-efficiency. Soft geometric curves and a timeless style characterise the entire Mora MMIX range. The mixers were developed according to our unique EcoSafe™ concept focusing on low energy consumption and long-term environmental care.

Article number: 732200.TT



## Sparepartlist

NO.	ART NO.	RSK	DESCRIPTION
1	409389.AE	8344867	Lever, complete
2	409392.AE	8344866	Colour marking and mounting screw for lever
3	409391.AE	8344865	Cover nut
4	891099.AE	8592423	Key
5	409610.AE	8241743	Lock nut for cartridge
6	409403.AE	8345132	Ceramic cartridge, incl service tool
6	409405.AE	8345205	Ceramic cartridge, Turbo, incl service tool
7	409611.AE	8241744	Stop screw
8	409685	8242427	Swivel spout, complete with jet concentrator
9	131417.AE	8281513	Housing M24 ext., 17 mm
10	409612.AE	8241745	Sealing rings (2 pcs)

NO.	ART NO.	RSK	DESCRIPTION
11	409457.AE		Fastening details for mixers without on/off valve
12	891096.AE	8345921	Service tool
13	209558.AE	8346933	Limitation clamp for fixed spout and swivel 30-90°
14	131398.AE	8281493	Aerator insert, 9–11 l/min at 300 kPa
15	409393.AE	8345179	Lock nut for cartridge, incl service tool
16	439060.AE	8295361	Lock nut