



## MORA INXX II soft, medium basin mixer

INXX II basin mixers are available in three different heights, including medium which is suitable for larger basins. With its durable matt black finish and essential design, the INXX II soft enhances the feeling of comfort, quality and elegance in your bathroom. The mixer has been tested and approved according to current building regulations and is energy-efficient, which means it reduces water and energy use without compromising on comfort. A push down-waste in a matching colour is available as an accessory.

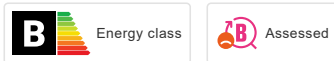
### About the collection


INXX II is an elegant, timeless collection in a palette of carefully selected colours. Offering a combination of high quality, sober design and outstanding comfort, this is the ultimate collection.

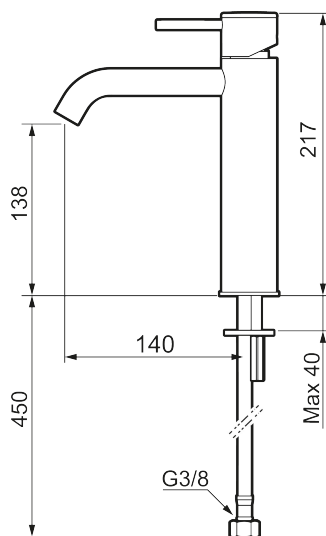
Article number: 273011.12CA Flow 3 bar: 4.5 l/m

Description: Matte black

#### Unique characteristics



Backflow protection unit type 



- Ceramic cartridge
- Adjustable flow control and temperature limiter
- Soft PEX® hoses with 3/8" connecting nut (stainless steel braided)
- Hole diameter Ø34-37 mm

**PRODUCT DESCRIPTION**

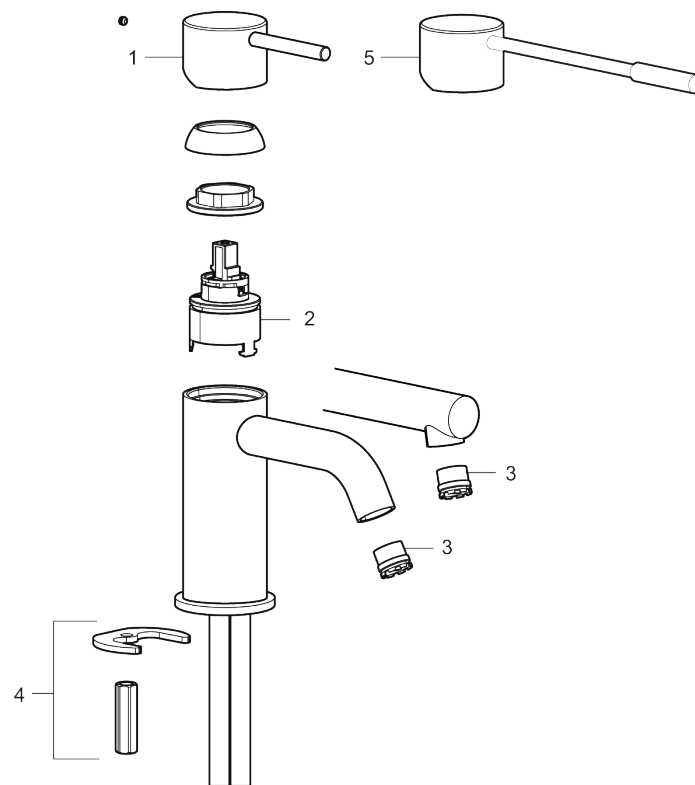
# MORA INXX II soft, medium basin mixer

INXX II basin mixers are available in three different heights, including medium which is suitable for larger basins. With its durable matt black finish and essential design, the INXX II soft enhances the feeling of comfort, quality and elegance in your bathroom. The mixer has been tested and approved according to current building regulations and is energy-efficient, which means it reduces water and energy use without compromising on comfort. A push down-waste in a matching colour is available as an accessory.

## About the collection

INXX II is an elegant, timeless collection in a palette of carefully selected colours. Offering a combination of high quality, sober design and outstanding comfort, this is the ultimate collection.

**Article number:** 273011.12CA



### Sparepartlist

NO.	ART NO.	RSK	DESCRIPTION
1	409701.AE	8394076	Lever, complete, chrome
1	409701.12AE	8394077	Lever, complete, matte black
1	409701.22AE	8394078	Lever, complete, matte white
1	409701.44AE	8394079	Lever, complete, matte grey

NO.	ART NO.	RSK	DESCRIPTION
1	409701.60AE	8394080	Lever, complete, polished brass PVD
1	409701.62AE	8394081	Lever, complete, brushed brass PVD
2	409703.AE	8437060	Ceramic cartridge
3	409706.AE	8281571	Aerator M16,5 ext., 5 l/min at 200–600 kPa
4	209518.AE	8346911	Fastening details
5	409708.AE	8394122	Care-handle, chrome
5	409708.12AE	8394123	Care-handle, matte black
5	409708.22AE	8394124	Care-handle, matte white
5	409708.44AE	8394125	Care-handle, matte grey
5	409708.60AE	8394126	Care-handle, polished brass PVD
5	409708.62AE	8394127	Care-handle, brushed brass PVD