



MORA REXX shower system kit

Article number: 707197 Flow 3 bar: 11.3 l/m

Description: Chrome, 160 c/c

Consist of:

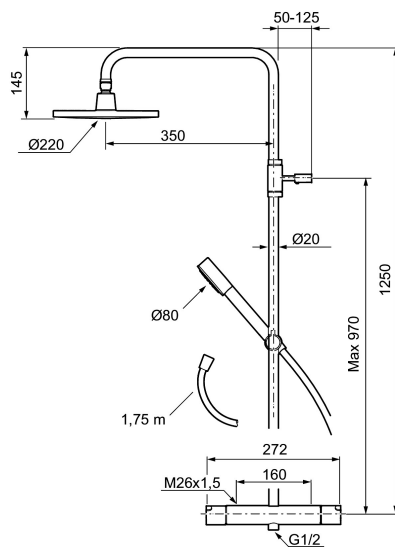
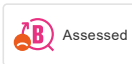
MORA REXX shower mixer:

- Compensates for temperature and pressure fluctuations
- With reversible headwork
- Temperature handle with safety stop at 38°C
- With Eco-function
- Approved non-return valves, EN-Standard EN1717

MORA REXX shower system:

- Shower hose in metal, PVC- and BPA-free
- With Easy-Clean anti-limescale system
- Shower bar can be shortened if required
- Eco (energy and water saving hand shower 9 l/min, shower head 12 l/min)

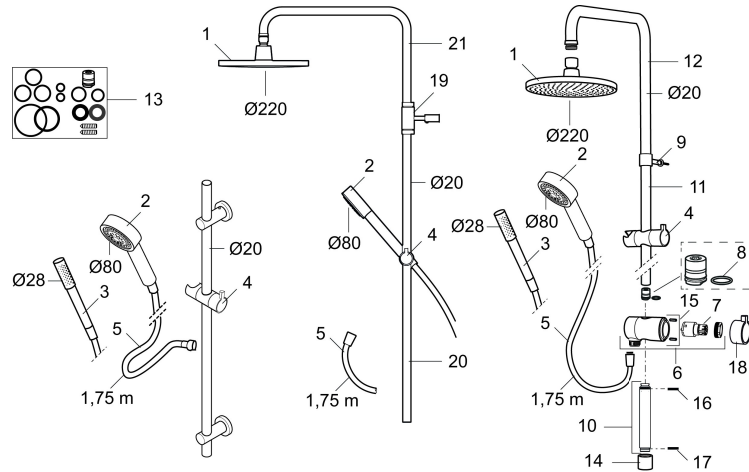
Uniqe characteristics



PRODUCT DESCRIPTION

MORA REXX shower system kit

Article number: 707197



Sparepartlist

NO.	ART NO.	RSK	DESCRIPTION
1	131192	8180715	Shower head, 220 mm, chrome
2	130356	8199194	Hand shower, chrome
3	209534	8199198	Hand shower, chome
3	209534.75	8199199	Hand shower, stainless look
4	130357.AA	8762735	Slider, chrome, retail packed
4	130357.0011AE	8762729	Slider, chrome/black
5	139835.AE	8199159	Shower hose in metal, 1750 mm
6	409430.AE	8541683	Diverter
7	409417.AA	8541628	Cartridge for diverter
8	639173.AE	8295314	Gasket (2 pcs)
9	139906.AE	8180378	Clip for shower bar 20 mm
10	209549.AE	8180946	Connecting pipe
11	209548.AE	8180944	Lower bar
12	209550.AE	8180947	Upper bar for S5
13	409425.AE	8346925	Spare bag for Mora Shower System
14	209291.AE	8295321	Transition nipple G1/2 - M18x1
15	139812.AE	8295323	Stop screw M5x20
16	309246.AE	8295312	O-ring (13,1 x 1,6)
17	609029.AE	8295315	O-ring (16,1 x 1,6)

NO.	ART NO.	RSK	DESCRIPTION
18	409520.AE	8348107	Handle for diverter
19	409590.AE	8221731	Clip for shower bar, chrome
20	209648.AE	8217836	Lower bar, chrome
21	209650.AE	8217835	Upper bar