



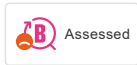
## MORA CERA duo miniprofi kitchen mixer

Mora CeraDuo miniprofi brings the benefits from a professional restaurant kitchen to your private home. The sensor function makes the mixer more hygienic as well as watersaving and environmentalfriendly. A convenient cleaning mode, and a removable nozzle with two spray-modes are included. Mora Cera Duo miniprofi makes your life in the kitchen easier, more environmentalfriendly and best of all- more good looking.

Article number: 242402 Flow 3 bar: 9.1 l/m

Description: Chrome, battery operation, included battery

### Unique characteristics



Backflow protection unit type 

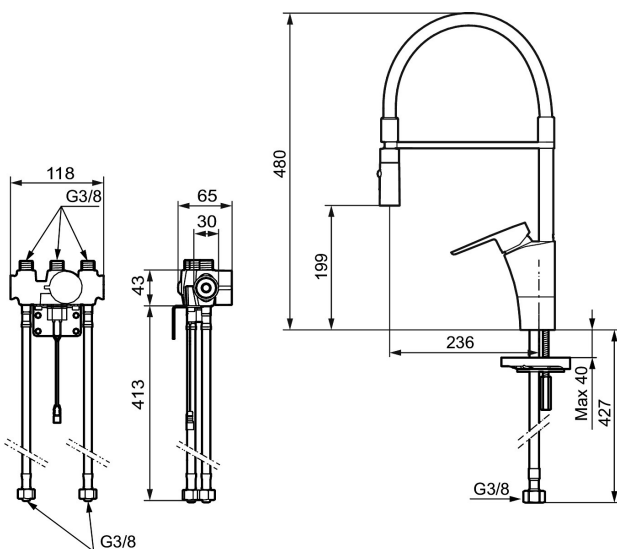
- ESS (energy saving system)
- Ceramic cartridge with soft closing function
- Swivel spout, limitation part for 60°, 85°, 110° or 360° included
- Nozzle with concentrated jet and hand shower
- Flush Timeout - safety shut-off to prevent flooding
- Can be turned off for 5 min. (eg for cleaning)
- Low power consumption - Long life
- IP class sensor, IP67
- Approved non-return valves, EN-Standard EN1717

### Installation:

- Automatic sensor calibration
- All models can be adapted for either battery 6V or mains operation 12V AC/DC
- For mains operation requires installation of the adapter kit art.no. S600147
- Soft PEX® hoses with 3/8" connecting nut (stainless steel braided)
- Hole diameter Ø34-37 mm

### Settings:

- Programmable detection distance
- Adjustable flush time

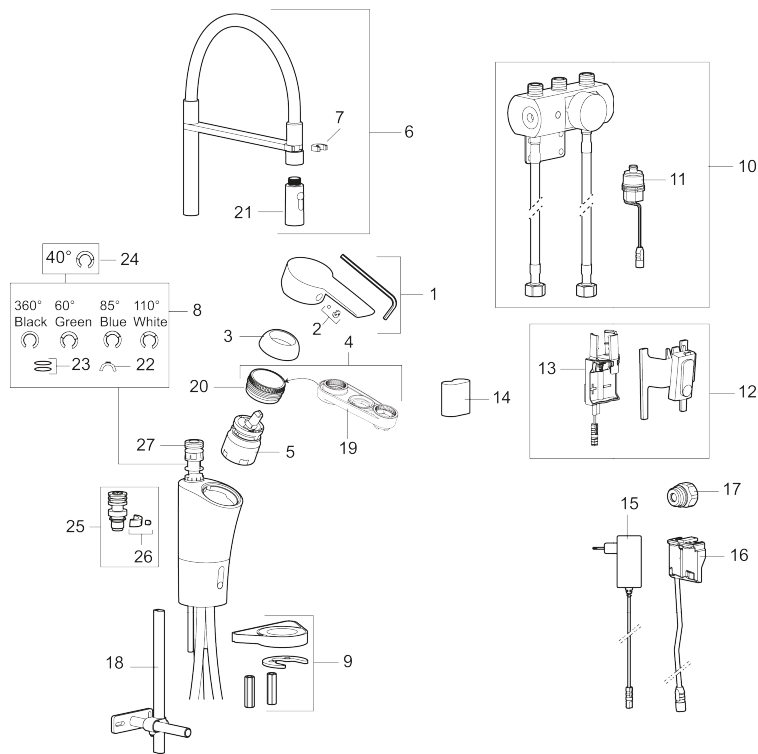


PRODUCT DESCRIPTION

# MORA CERA duo miniprofi kitchen mixer

Mora CeraDuo miniprofi brings the benefits from a professional restaurant kitchen to your private home. The sensor function makes the mixer more hygienic as well as watersaving and environmentalfriendly. A convenient cleaning mode, and a removable nozzle with two spray-modes are included. Mora Cera Duo miniprofi makes your life in the kitchen easier, more environmentalfriendly and best of all- more good looking.

Article number: 242402



## Sparepartlist

NO.	ART NO.	RSK	DESCRIPTION
1	409600.AE	8345186	Lever, complete
2	409392.AE	8344866	Colour marking and mounting screw for lever
3	409391.AE	8344865	Cover nut
4	409393.AE	8345179	Lock nut for cartridge, incl service tool
5	409403.AE	8345132	Ceramic cartridge, incl service tool
6	S600059	8394011	Spout, complete, chrome
7	S600061	8393993	Spout mount
8	209524.AE	8346915	Limitation segment
9	409388.AE	8346914	Fastening details, kitchen
10	729443		Mixing valve

NO.	ART NO.	RSK	DESCRIPTION
11	729455.AE	8553561	Solenoid valve
12	S600166	8387157	Sensor
13	729441.AE		Battery holder
14	S600135	8483191	Battery
15	S600129	8483188	Power supply 12V
16	S600131	8483190	AC adapter
17	S600141	8229257	Transition nipple
18	409340.AE	8531598	Stabilization kit
19	891096.AE	8345921	Service tool
20	439060.AE	8295361	Lock nut
21	S600060	8394012	Nozzle
22	309519.AE	8295318	Fixed plug, 2 pcs (black/grey)
23	708843.AE	8295357	O-ring (15,54 x 2,62), 2 pcs
24	209543.AE	8346916	Limitation segment 40°
25	109016.AE	8295331	Spout nipple, complete, for fixed spout
26	139595.AE	8295313	Stop screw with limitation segment
27	S600018	8394128	Spout nipple, complete