



## MORA INXX II soft, high basin mixer

Article number: 273021.60CA Flow 3 bar: 4.5 l/m

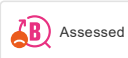
Description: Polished brass PVD

- Ceramic cartridge
- Adjustable flow control and temperature limiter
- Eco (energy and water saving constant flow aerator, 5 l/min at 200–600 kPa)
- Soft PEX® hoses with 3/8" connecting nut (stainless steel braided)
- Hole diameter Ø34-37 mm

### Unique characteristics

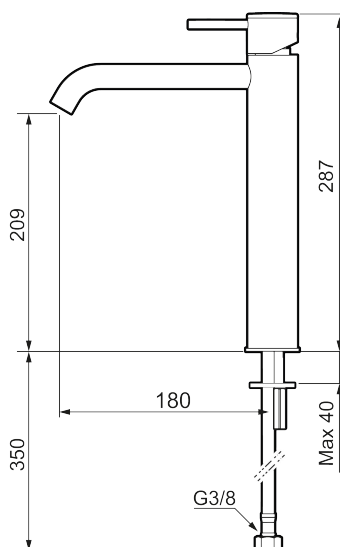


Energy class



Assessed

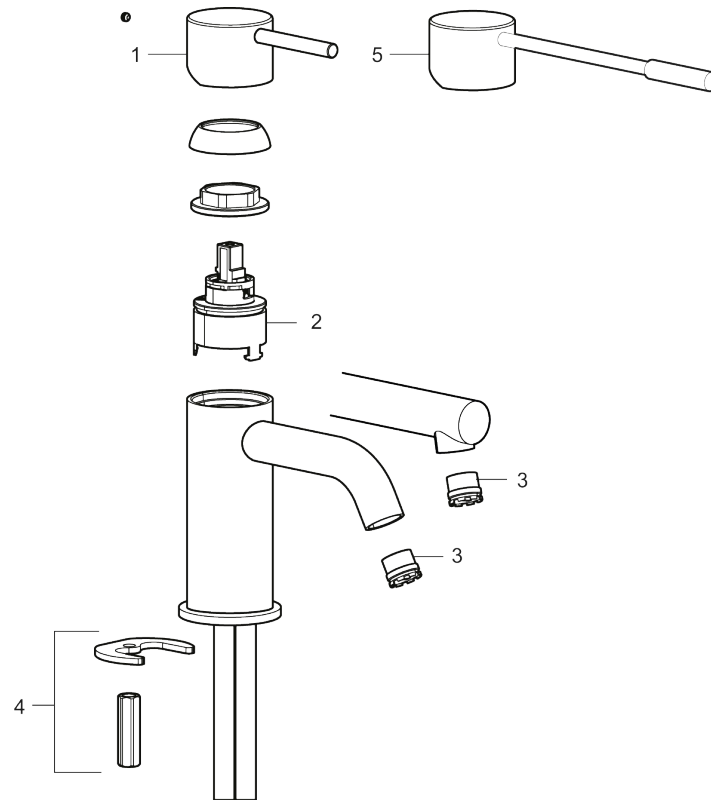
Backflow protection unit type



PRODUCT DESCRIPTION

MORA INXX II soft, high basin mixer

Article number:  
273021.60CA



Sparepartlist

| NO. | ART NO.     | RSK     | DESCRIPTION                                |
|-----|-------------|---------|--|
| 1   | 409701.AE   | 8394076 | Lever, complete, chrome                    |
| 1   | 409701.12AE | 8394077 | Lever, complete, matte black               |
| 1   | 409701.22AE | 8394078 | Lever, complete, matte white               |
| 1   | 409701.44AE | 8394079 | Lever, complete, matte grey                |
| 1   | 409701.60AE | 8394080 | Lever, complete, polished brass PVD        |
| 1   | 409701.62AE | 8394081 | Lever, complete, brushed brass PVD         |
| 2   | 409703.AE   | 8437060 | Ceramic cartridge                          |
| 3   | 409706.AE   | 8281571 | Aerator M16,5 ext., 5 l/min at 200–600 kPa |
| 4   | 209518.AE   | 8346911 | Fastening details                          |
| 5   | 409708.AE   | 8394122 | Care-handle, chrome                        |
| 5   | 409708.12AE | 8394123 | Care-handle, matte black                   |
| 5   | 409708.22AE | 8394124 | Care-handle, matte white                   |
| 5   | 409708.44AE | 8394125 | Care-handle, matte grey                    |

| NO. | ART NO.     | RSK     | DESCRIPTION                     |
|-----|-------------|---------|---------------------------------|
| 5   | 409708.60AE | 8394126 | Care-handle, polished brass PVD |
| 5   | 409708.62AE | 8394127 | Care-handle, brushed brass PVD  |