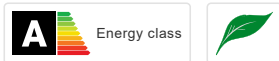
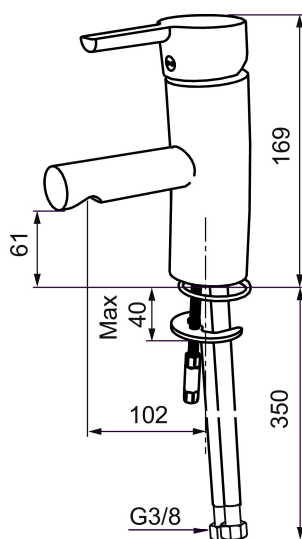




Unique characteristics



Backflow protection unit type **AA**



MORA MMIX B5 basin mixer

Mora MMIX combines elegance and ergonomic design with energy-efficiency. Soft geometric curves and a timeless style characterise the entire Mora MMIX range. The mixers were developed according to our unique EcoSafe™ concept focusing on low energy consumption and long-term environmental care.

Article number: 733001.CA **Flow 3 bar:** 4.7 l/m

Description: Chrome, Eco (constant flow at 200–600 kPa)

- ESS (energy saving system)
- Ceramic cartridge with soft closing function
- Adjustable flow control and temperature limiter
- Soft PEX® hoses with 3/8" connecting nut (stainless steel braided)
- Approved by the Rheumatism Association in Sweden
- Lead Free material
- Hole diameter Ø33,5-37 mm