



## MORA INXX II soft kitchen mixer

With its durable matt white finish and soft lines, the INXX II soft kitchen mixer lends luxury and elegance to your kitchen. The mixer has been tested and approved according to current building regulations and is energy-efficient, which means it reduces water and energy use without compromising on comfort.

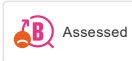
### About the collection

INXX II is an elegant, timeless collection in a palette of carefully selected colours. Offering a combination of high quality, sober design and outstanding comfort, this is the ultimate collection.

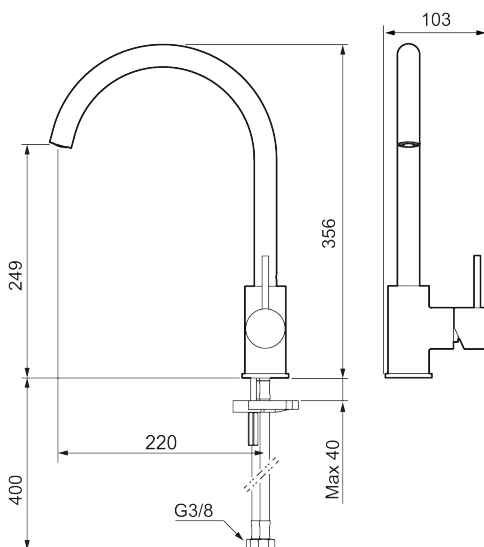
Article number: 272101.22CA Flow 3 bar: 6.0 l/m

Description: Matte white

### Unique characteristics



### Backflow protection unit type



- Ceramic cartridge
- Adjustable flow control and temperature limiter
- Eco (energy and water saving aerator)
- Soft PEX® hoses with 3/8" connecting nut (stainless steel braided)
- Swivel spout, limitation part for 60°, 85°, 110° or 360° included
- Hole diameter Ø34-37 mm

PRODUCT DESCRIPTION

# MORA INXX II soft kitchen mixer

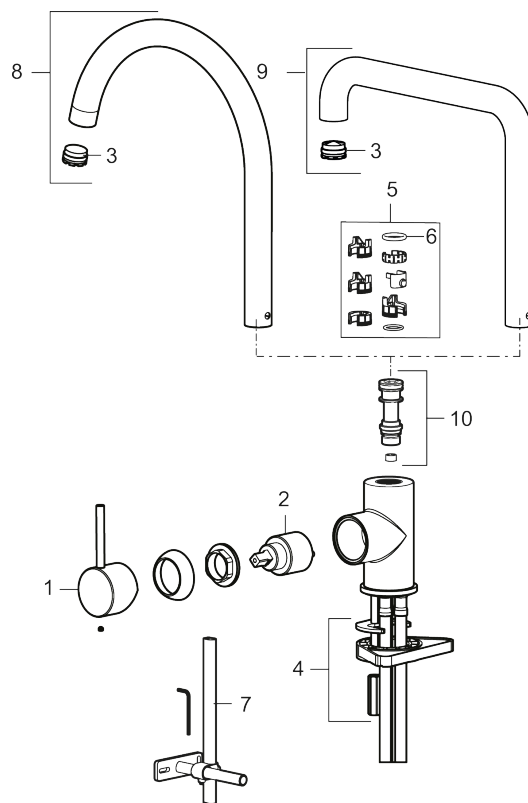
With its durable matt white finish and soft lines, the INXX II soft kitchen mixer lends luxury and elegance to your kitchen. The mixer has been tested and approved according to current building regulations and is energy-efficient, which means it reduces water and energy use without compromising on comfort.

### About the collection

INXX II is an elegant, timeless collection in a palette of carefully selected colours. Offering a combination of high quality, sober design and outstanding comfort, this is the ultimate collection.

**Article number:**

272101.22CA



### Sparepartlist

| NO. | ART NO.     | RSK     | DESCRIPTION                         |
|-----|-------------|---------|-------------------------------------|
| 1   | 409700.AE   | 8394069 | Lever, complete, chrome             |
| 1   | 409700.12AE | 8394070 | Lever, complete, matte black        |
| 1   | 409700.22AE | 8394071 | Lever, complete, matte white        |
| 1   | 409700.44AE | 8394072 | Lever, complete, matte grey         |
| 1   | 409700.60AE | 8394073 | Lever, complete, polished brass PVD |

| NO. | ART NO.     | RSK     | DESCRIPTION                        |
|-----|-------------|---------|------------------------------------|
| 1   | 409700.62AE | 8394074 | Lever, complete, brushed brass PVD |
| 1   | 409700.76AE | 8394075 | Lever, complete, brushed nickel    |
| 2   | 409702.AE   | 8437059 | Ceramic cartridge                  |
| 3   | S600230     |         | Aerator M21,5 ext., Z              |
| 4   | S600055     |         | Fastening details                  |
| 5   | 209565.AE   |         | Limitation segment                 |
| 6   | 708843.AE   | 8295357 | O-ring (15,54 x 2,62), 2 pcs       |
| 7   | 409340.AE   | 8531598 | Stabilization kit                  |
| 8   | 409712.AE   | 8441027 | Swivel spout, chrome               |
| 8   | 409712.12AE | 8441028 | Swivel spout, matte black          |
| 8   | 409712.22AE | 8441029 | Swivel spout, matte white          |
| 8   | 409712.44AE | 8441030 | Swivel spout, matte grey           |
| 8   | 409712.60AE | 8441031 | Swivel spout, polished brass PVD   |
| 8   | 409712.62AE | 8441032 | Swivel spout, brushed brass PVD    |
| 8   | 409712.76AE | 8441033 | Swivel spout, Brushed nickel       |
| 9   | 409713.AE   | 8441034 | Swivel spout, chrome               |
| 9   | 409713.12AE | 8441035 | Swivel spout, matte black          |
| 9   | 409713.22AE | 8441036 | Swivel spout, matte white          |
| 9   | 409713.44AE | 8441037 | Swivel spout, matte grey           |
| 9   | 409713.60AE | 8441038 | Swivel spout, polished brass PVD   |
| 9   | 409713.62AE | 8441039 | Swivel spout, brushed brass PVD    |
| 9   | 409713.76AE | 8441040 | Swivel spout, Brushed nickel       |
| 10  | S600231     |         | Spout nipple, complete             |