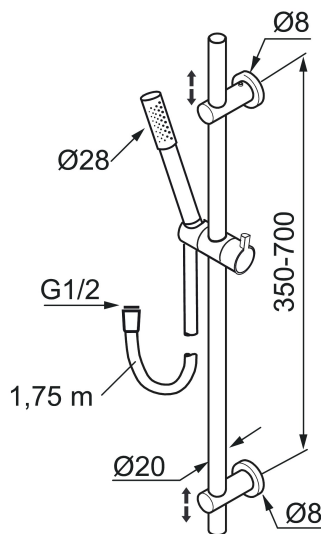




Unique characteristics



## MORA REXX S6 shower set

With their simple, minimalist design, Mora REXX mixers are the essence of Scandinavian design and functionality. Their innovation lies in their precision. When tradition and craftsmanship meet state-of-the-art manufacturing methods and inspiring design, the result is Mora REXX. The version shown here is a beautiful shower system with built-in intelligent function.

**Article number:** 130191

**Description:** Chrome

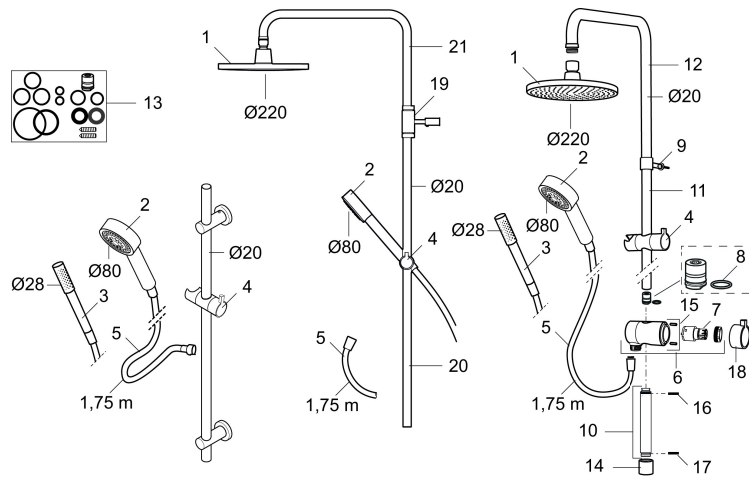
- Shower hose in metal, PVC- and BPA-free
- With adjustable wall brackets for usage of existing screw holes
- With Easy-Clean anti-limescale system
- Eco (energy and water saving hand shower 9 l/min)

PRODUCT DESCRIPTION

# MORA REXX S6 shower set

With their simple, minimalist design, Mora REXX mixers are the essence of Scandinavian design and functionality. Their innovation lies in their precision. When tradition and craftsmanship meet state-of-the-art manufacturing methods and inspiring design, the result is Mora REXX. The version shown here is a beautiful shower system with built-in intelligent function.

Article number: 130191



## Sparepartlist

NO.	ART NO.	RSK	DESCRIPTION
1	131192	8180715	Shower head, 220 mm, chrome
2	130356	8199194	Hand shower, chrome
3	209534	8199198	Hand shower, chome
3	209534.75	8199199	Hand shower, stainless look
4	130357.AA	8762735	Slider, chrome, retail packed
4	130357.0011AE	8762729	Slider, chrome/black
5	S600310	8239707	Shower hose in metal, 1750 mm
6	409430.AE	8541683	Diverter
7	S600321	8239708	Cartridge for diverter
8	639173.AE	8295314	Gasket (2 pcs)
9	139906.AE	8180378	Clip for shower bar 20 mm
10	209549.AE	8180946	Connecting pipe
11	209548.AE	8180944	Lower bar
12	209550.AE	8180947	Upper bar for S5
13	409425.AE	8346925	Spare bag for Mora Shower System
14	209291.AE	8295321	Transition nipple G1/2 - M18x1

NO.	ART NO.	RSK	DESCRIPTION
15	139812.AE	8295323	Stop screw M5x20
16	309246.AE	8295312	O-ring (13,1 x 1,6)
17	609029.AE	8295315	O-ring (16,1 x 1,6)
18	409520.AE	8348107	Handle for diverter
19	409590.AE	8221731	Clip for shower bar, chrome
20	209648.AE	8217836	Lower bar, chrome
21	209650.AE	8217835	Upper bar