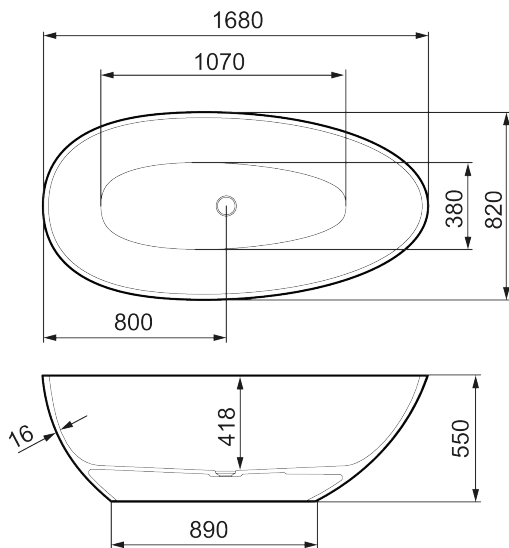




Unique characteristics



MORA LAVA IV

Shaped like a thumbprint in wet sand, this mineral composite bath is an exercise in calm perfection. The wide rim, depth, and embracing lines harmonise a space effortlessly. Bathe at either end with supreme comfort.

About the collection

With a name that evokes the flowing mineral-rich qualities of volcanic rock. Made from a tactile, durable mineral composite with thermal insulating qualities, the Lava range combines harmonious, modern aesthetics with comfort.

In any color you want



Article number: 951004

Description: White, L1680 x W820 x H550

- Freestanding bathtub in mineral composite
- Double-sided model - relaxing soak at either end of the tub
- Pre-installed white bottom valve
- Volume: 279 l
- Weight: 122 kg