



MMIX II kitchen mixer

MMIX II with a low spout combines a harmonious, ergonomically designed exterior with an energy-efficient interior for low energy consumption and long-term environmental care.

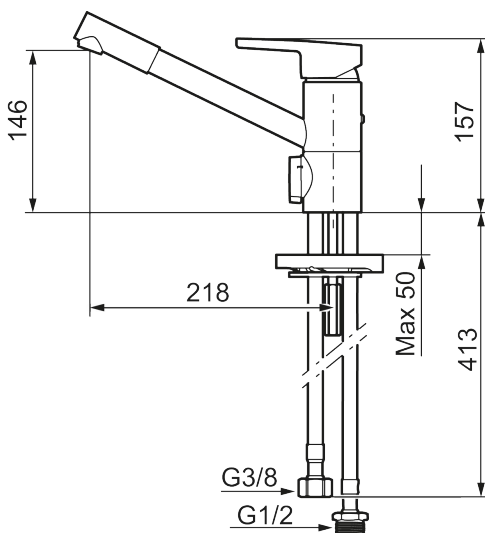
Article number: 332251 Flow 3 bar: 6.0 l/m

Description: Chrome

Unique characteristics



Backflow protection unit type **AA**



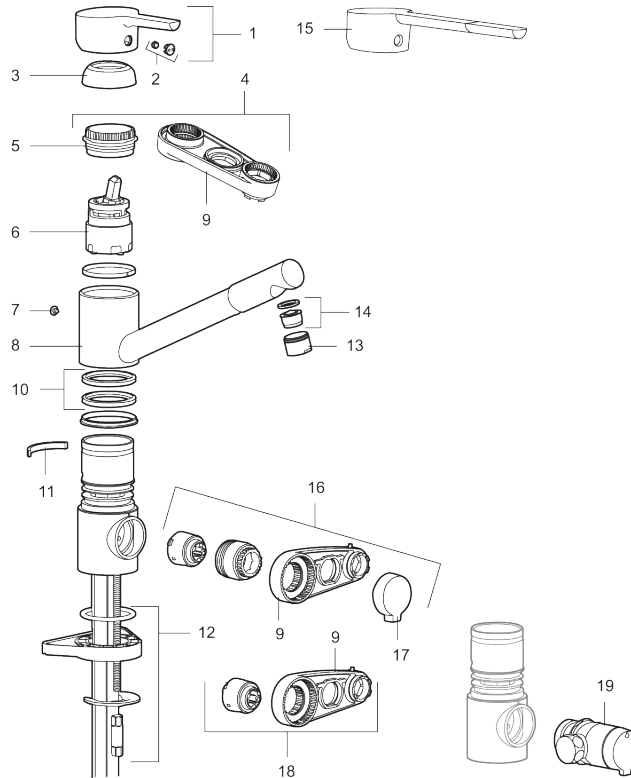
- ESS (energy saving system)
- Ceramic cartridge with soft closing function
- Adjustable flow control and temperature limiter
- Swivel spout 110°
- With dishwasher valve, switchable between cold and hot water. Pre-set on cold water
- Soft PEX[®] hoses with 3/8" connecting nut (stainless steel braided)
- Lead Free material
- Hole diameter Ø34-37 mm

PRODUCT DESCRIPTION

MMIX II kitchen mixer

MMIX II with a low spout combines a harmonious, ergonomically designed exterior with an energy-efficient interior for low energy consumption and long-term environmental care.

Article number: 332251



Sparepartlist

NO.	ART NO.	RSK	DESCRIPTION
1	409389.AE	8344867	Lever, complete
2	409392.AE	8344866	Colour marking and mounting screw for lever
3	409391.AE	8344865	Cover nut
4	409393.AE	8345179	Lock nut for cartridge, incl service tool
5	439060.AE	8295361	Lock nut
6	S600273	8387230	Ceramic cartridge with service tool, cold start (green ring)
7	409611.AE	8241744	Stop screw
8	409685	8242427	Swivel spout, complete with jet concentrator
9	S600298	3870203	Service tool
10	S600301	8387255	Sealing rings, 2 pcs
11	209558.AE	8346933	Limitation clamp for fixed spout and swivel 30-90°
12	409458.AE		Fastening details for mixers with on/off valve

NO.	ART NO.	RSK	DESCRIPTION
13	S600279	8280066	
14	131398.AE	8281493	Aerator insert, 9–11 l/min at 300 kPa
15	409390.AE	8344874	Care lever, complete, chrome
16	409104.AE	8322314	Dishwasher isolator cartridge, incl. service tool
17	409400.AE	8345180	Handle for dish washer connection
18	S600337	8346905	Ceramic cartridge for dishwasher, with service tool
18	S600316	8387265	Ceramic cartridge for dishwasher, without service tool
19	409399.AE	8347223	Rebuild.kit for dish washer