



## MMIX II soft kitchen mixer

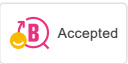
MMIX II soft has a gently curved geometric design that exudes a classic, easy-to-work-with style.


**Article number:** 332101.LD3 **Flow 3 bar:** 3.8 l/m

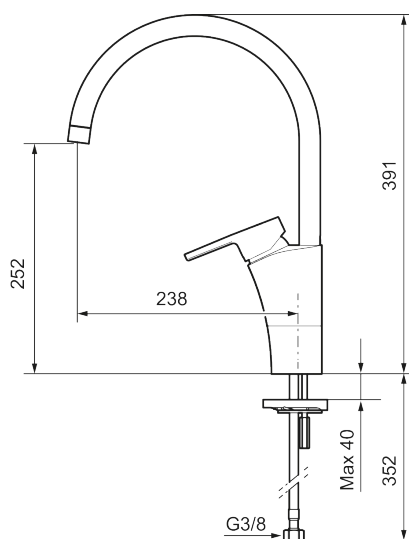
**Description:** Chrome, LEED/BREEAM compliant

- ESS (energy saving system)
- Ceramic cartridge with soft closing function
- Adjustable flow control and temperature limiter
- Swivel spout, limitation part for 60°, 85°, 110° or 360° included
- Soft PEX<sup>®</sup> hoses with 3/8" connecting nut (stainless steel braided)
- Lead Free material
- Hole diameter Ø34-37 mm

### Unique characteristics



Backflow protection unit type 

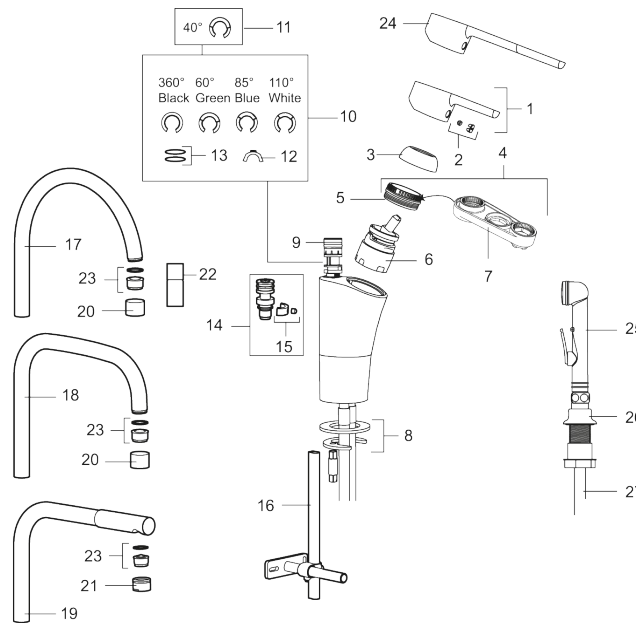


PRODUCT DESCRIPTION

# MMIX II soft kitchen mixer

MMIX II soft has a gently curved geometric design that exudes a classic, easy-to-work-with style.

Article number: 332101.LD3



	STD	LD3*	LD4*
6. Cartridge	S600253	S600232	S600253
23. Insert	131394.AE	S600072	132205.AE

\* LEED mixers with low flow

## Sparepartlist

NO.	ART NO.	RSK	DESCRIPTION
1	409389.AE	8344867	Lever, complete
2	409392.AE	8344866	Colour marking and mounting screw for lever
3	409391.AE	8344865	Cover nut
4	409393.AE	8345179	Lock nut for cartridge, incl service tool
5	439060.AE	8295361	Lock nut
6	S600253	8387149	Ceramic cartridge with service tool
6	S600232		Cartridge, Low flow, for LEED mixers
7	891096.AE	8345921	Service tool
8	409388.AE	8346914	Fastening details, kitchen
9	S600018	8394128	Spout nipple, complete
10	209524.AE	8346915	Limitation segment
11	209543.AE	8346916	Limitation segment 40°
12	309519.AE	8295318	Fixed plug, 2 pcs (black/grey)
13	708843.AE	8295357	O-ring (15,54 x 2,62), 2 pcs

NO.	ART NO.	RSK	DESCRIPTION
14	109016.AE	8295331	Spout nipple, complete, for fixed spout
15	139595.AE	8295313	Stop screw with limitation segment
16	409340.AE	8531598	Stabilization kit
17	409395.AE	8326732	Spout K5, complete
18	409396.AE	8326733	Spout K7, complete
19	409397.AE	8326734	Spout K6, complete
20	131410.AE	8281509	Housing M22 int.
21	131415.AE	8281512	Housing M24 utv., 15 mm, chrome
22	409343.AE	8281537	Aerator M22 int., ball joint, 7–9 l/min at 300 kPa
23	131394.AE	8242225	Aerator insert, 7–9 l/min at 300 kPa
23	S600072	8281671	Aerator insert, 3 l/min at 200–600 kPa
23	132205.AE	8281441	Aerator insert, 5 l/min at 200–600 kPa
24	409390.AE	8344874	Care lever, complete, chrome
25	S600206	8233049	Self-closing hand shower, chrome
26	130670.AE	8223275	Leading sleeve
27	S600152	8236561	High-pressure shower hose, L=1,5 m, chrome