



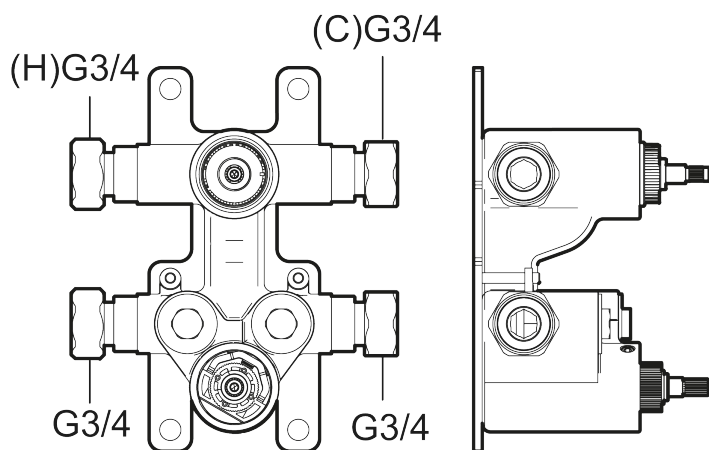
Concealed thermostatic mixer

Article number: 275030

Description: With reversible headwork, for shower system

- Note! Approved in selected markets, Sweden, Norway and Finland
- Thermostatic mixer with reversible headwork
- Safety stop at 38°C
- Ceramic headwork
- Approved non-return valves, EN-Standard EN1717
- Build-in depth (min. 75 mm - max. 105 mm)

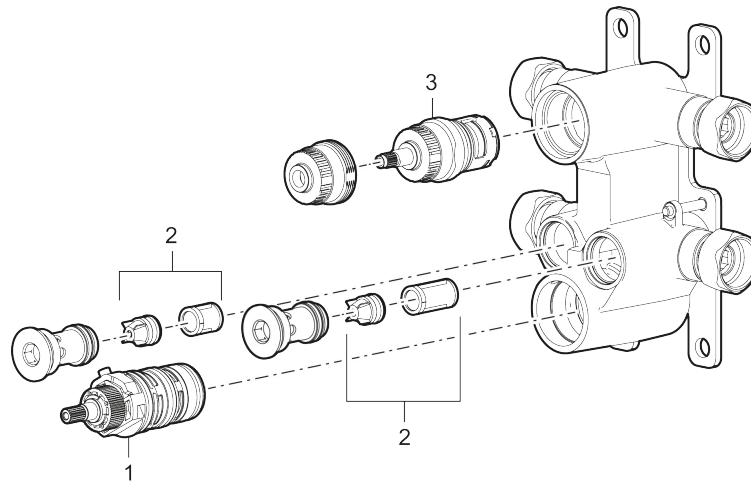
Unique characteristics



PRODUCT DESCRIPTION

Concealed thermostatic mixer

Article number: 275030



Sparepartlist

NO.	ART NO.	RSK	DESCRIPTION
1	S600221		Thermostatic cartridge
2	S600220		Service kit
3	S600021	8441463	Ceramic headwork, with service tool (bath mixer)