



MORA INXX II soft kitchen mixer

With its durable matt black finish and soft lines, the INXX II soft kitchen mixer lends luxury and elegance to your kitchen. The mixer has been tested and approved according to current building regulations and is energy-efficient, which means it reduces water and energy use without compromising on comfort.

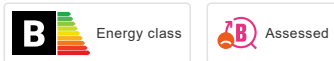
About the collection

INXX II is an elegant, timeless collection in a palette of carefully selected colours. Offering a combination of high quality, sober design and outstanding comfort, this is the ultimate collection.

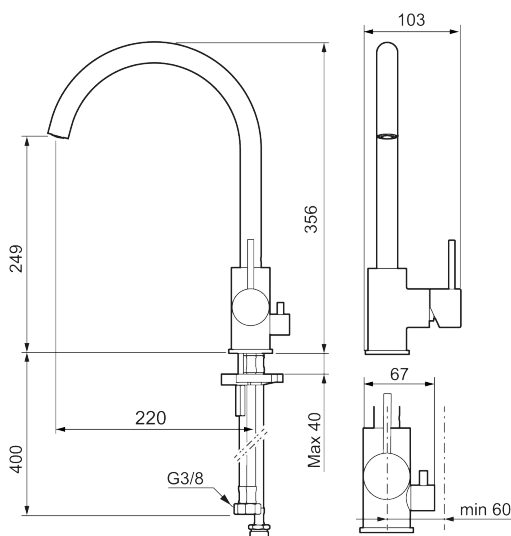
Article number: 272151.12CA Flow 3 bar: 6.0 l/m

Description: matte black

Unique characteristics



Backflow protection unit type **AA**



- Ceramic cartridge
- Adjustable flow control and temperature limiter
- Soft PEX[®] hoses with 3/8" connecting nut (stainless steel braided)
- Swivel spout, limitation part for 60°, 85°, 110° or 360° included
- With dishwasher valve CW, not adjustable to HW
- Hole diameter Ø34-37 mm

PRODUCT DESCRIPTION

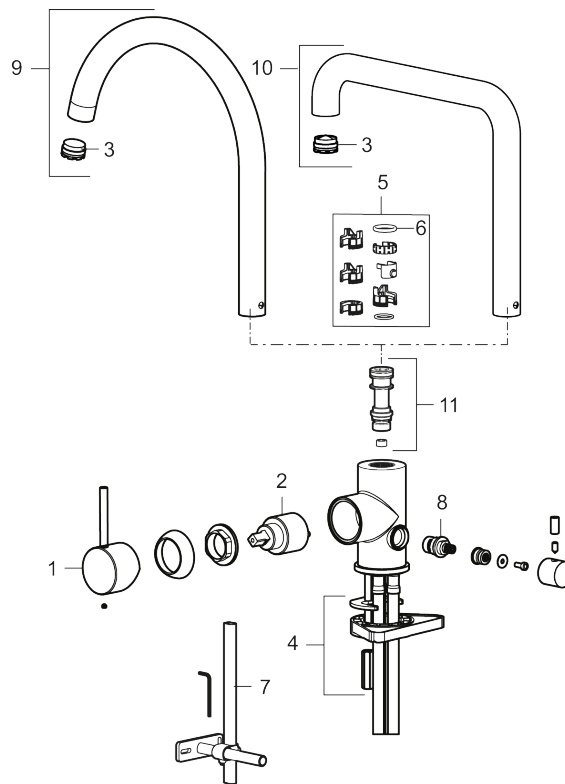
MORA INXX II soft kitchen mixer

With its durable matt black finish and soft lines, the INXX II soft kitchen mixer lends luxury and elegance to your kitchen. The mixer has been tested and approved according to current building regulations and is energy-efficient, which means it reduces water and energy use without compromising on comfort.

About the collection

INXX II is an elegant, timeless collection in a palette of carefully selected colours. Offering a combination of high quality, sober design and outstanding comfort, this is the ultimate collection.

Article number: 272151.12CA



Sparepartlist

| NO. | ART NO. | RSK | DESCRIPTION |
|-----|-------------|---------|-------------------------------------|
| 1 | 409700.AE | 8394069 | Lever, complete, chrome |
| 1 | 409700.12AE | 8394070 | Lever, complete, matte black |
| 1 | 409700.22AE | 8394071 | Lever, complete, matte white |
| 1 | 409700.44AE | 8394072 | Lever, complete, matte grey |
| 1 | 409700.60AE | 8394073 | Lever, complete, polished brass PVD |
| 1 | 409700.62AE | 8394074 | Lever, complete, brushed brass PVD |
| 1 | 409700.76AE | 8394075 | Lever, complete, brushed nickel |

| NO. | ART NO. | RSK | DESCRIPTION |
|-----|-------------|---------|--|
| 2 | 409702.AE | 8437059 | Ceramic cartridge |
| 3 | S600230 | | Aerator M21,5 ext., Z |
| 4 | S600055 | | Fastening details |
| 5 | 209565.AE | | Limitation segment |
| 6 | 708843.AE | 8295357 | O-ring (15,54 x 2,62), 2 pcs |
| 7 | S600308 | 8387263 | Stabilizer kit |
| 8 | 409707.AE | 8394082 | Ceramic cartridge for dish washer connection |
| 9 | 409712.AE | 8441027 | Swivel spout, chrome |
| 9 | 409712.12AE | 8441028 | Swivel spout, matte black |
| 9 | 409712.22AE | 8441029 | Swivel spout, matte white |
| 9 | 409712.44AE | 8441030 | Swivel spout, matte grey |
| 9 | 409712.60AE | 8441031 | Swivel spout, polished brass PVD |
| 9 | 409712.62AE | 8441032 | Swivel spout, brushed brass PVD |
| 9 | 409712.76AE | 8441033 | Swivel spout, Brushed nickel |
| 10 | 409713.AE | 8441034 | Swivel spout, chrome |
| 10 | 409713.12AE | 8441035 | Swivel spout, matte black |
| 10 | 409713.22AE | 8441036 | Swivel spout, matte white |
| 10 | 409713.44AE | 8441037 | Swivel spout, matte grey |
| 10 | 409713.60AE | 8441038 | Swivel spout, polished brass PVD |
| 10 | 409713.62AE | 8441039 | Swivel spout, brushed brass PVD |
| 10 | 409713.76AE | 8441040 | Swivel spout, Brushed nickel |
| 11 | S600231 | | Spout nipple, complete |