



LYNX basin mixer

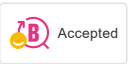
A basin mixer with a sculptural, timeless look in clean chrome or matte black. Flattened elements blend with soft curves for a dramatic profile. The mixer enjoys our leading sustainable functionality.


Article number: 343001.12LD3 **Flow 3 bar:** 3.0 l/m

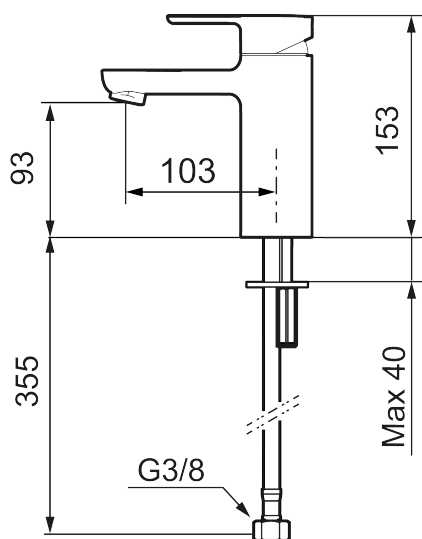
Description: Matte black, LEED/BREEAM compliant

- ESS (energy saving system)
- Adjustable flow control and temperature limiter
- Soft PEX® hoses with 3/8" connecting nut (stainless steel braided)
- Lead Free material
- Hole diameter Ø34-37 mm

Unique characteristics



Backflow protection unit type 



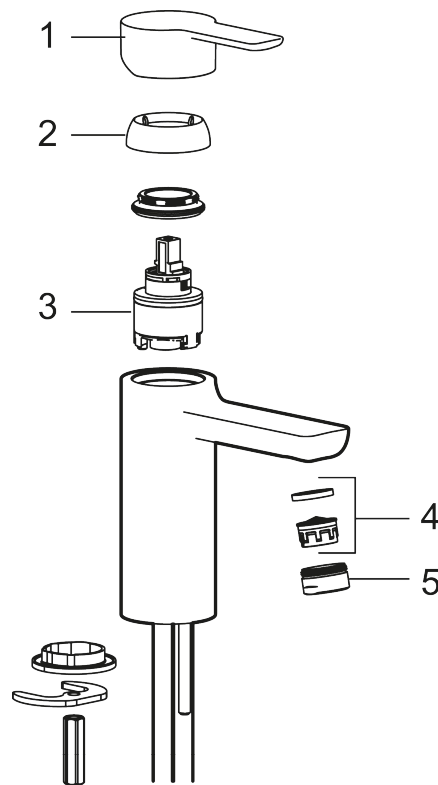
PRODUCT DESCRIPTION

LYNX basin mixer

A basin mixer with a sculptural, timeless look in clean chrome or matte black. Flattened elements blend with soft curves for a dramatic profile. The mixer enjoys our leading sustainable functionality.

Article number:

343001.12LD3



Sparepartlist

| NO. | ART NO. | RSK | DESCRIPTION |
|-----|------------|---------|--|
| 1 | S600239 | 8387192 | |
| 1 | S600239.12 | 8387193 | |
| 2 | S600240 | 8397022 | |
| 2 | S600240.12 | 8397023 | |
| 3 | S600242 | 8387196 | |
| 4 | 132205.AE | 8281441 | Aerator insert, 5 l/min at 200–600 kPa |
| 4 | S600072 | 8281671 | Aerator insert, 3 l/min at 200–600 kPa |
| 4 | S600226 | 8280024 | Aerator insert, 1,7 l/min at 200–600 kPa |
| 5 | S600156 | 8280014 | Housing M24 ext., 13 mm, chrome |