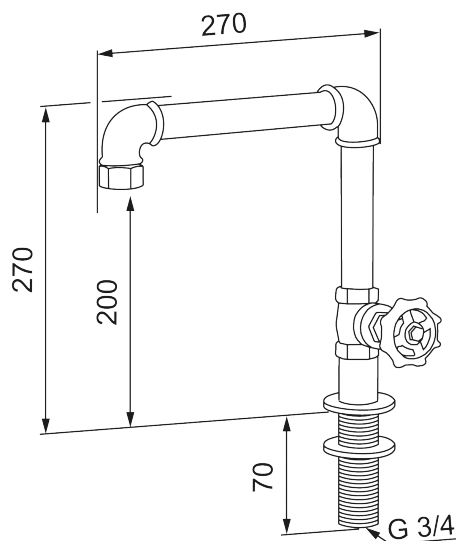




Unique characteristics



## MORA GARDEN outdoor kitchen tap

Nothing quite beats al fresco dining. And this kind of dining is an absolute pleasure when you've got the Mora experience outside at your fingertips. An handcrafted outdoor kitchen mixer with an industrial, rustic look, made of interconnected pipe sections to match the unique style of the outdoor shower. Connect your mixer to the garden hose and use the knob on the mixer too turn the water flow on and off.

Complement the outdoor kitchen with a handcrafted wall-mounted rail.

If the mixer will be subjected to external temperatures lower than 0 °C, the product must be emptied of water, disassembled, and stored in a heated space.

Article number: 400001

Description: Black

- For countertop thickness max 50 mm
- Connect the mixer to a garden hose with a G3/4" connector (not included)
- Hole diameter Ø27-42 mm