



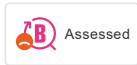
MORA GARDEN - Frost-proof garden valve

Our garden valves are self-draining and therefore frost-proof even if you forget to dismantle the garden hose before the season with degrees below zero. However, we recommended that you always remove the hose and coupling when there is a risk of low temperatures.

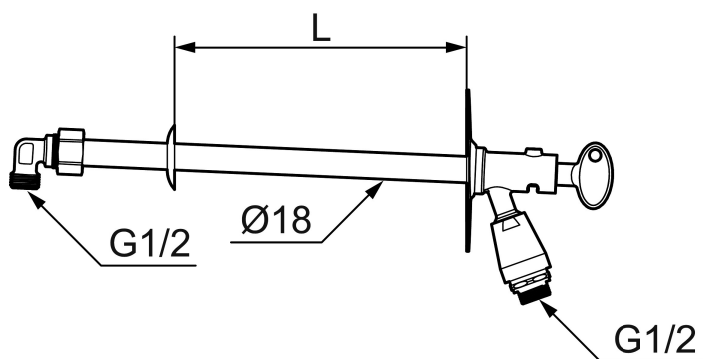
Article number: 461760

Description: For wall thickness max. 1000 mm

Uniqe characteristics



Backflow protection unit type 



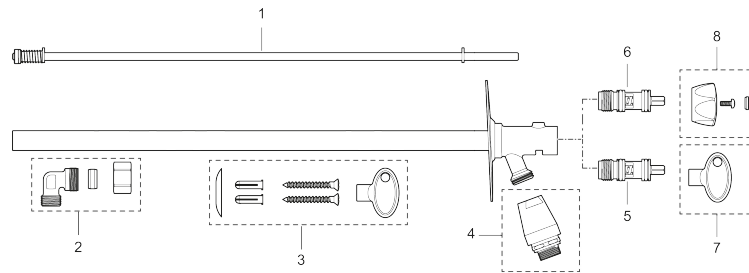
- Self-draining
- Key included
- With approved non-return valve
- Can be cut to suit wall thickness
- Wall bracket: H=110 mm, W=60 mm
- Approved backflow prevention device, EN-Standard EN 1717

PRODUCT DESCRIPTION

MORA GARDEN - Frost-proof garden valve

Our garden valves are self-draining and therefore frost-proof even if you forget to dismantle the garden hose before the season with degrees below zero. However, we recommended that you always remove the hose and coupling when there is a risk of low temperatures.

Article number: 461760



Sparepartlist

NO.	ART NO.	RSK	DESCRIPTION
1	409411.AE	8588938	Spindle, L=400 mm
1	409412.AE	8588939	Spindle, L=600 mm
1	409413.AE	8588940	Spindle, L=1000 mm
2	409415.AE	8588937	Valve body with cone and nut
3	409414.AE	8588941	Fastening details
4	708229.AE	8530490	Vacuum valve
5	600162.AA	8588935	Headwork for loose key, retail packed
6	600163.AA	8588936	Headwork for loose handle, retail packed
7	630523.AA	8588942	Key, retail packed
8	409211.AE	8588943	Handle