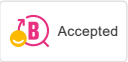

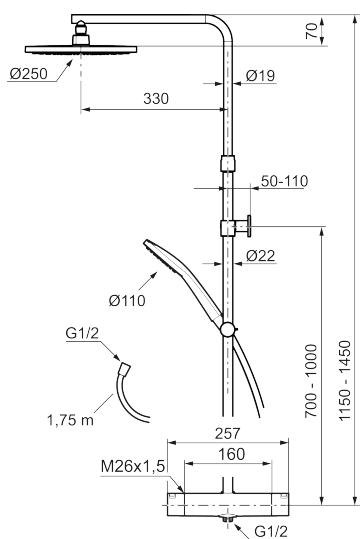




Unique characteristics



Backflow protection unit type 



LYNX shower system kit

Everyday luxury is the driving force behind the LYNX shower system kit, which offers the ease of a handheld shower and a seductive overhead experience in one package. It is available in chrome or matte black.

Article number: 341800.LD6 **Flow 3 bar:** 6.0 l/m

Description: Chrome, 160 c/c, LEED/BREEAM compliant

Consist of:

MORA LYNX thermostatic mixer:

- Pressure balanced thermostatic mixer
- With reversible headwork
- Temperature handle with safety stop at 38°C
- With Eco-function
- Lead Free material
- Approved non-return valves, EN-Standard EN1717

MORA LYNX Shower System:

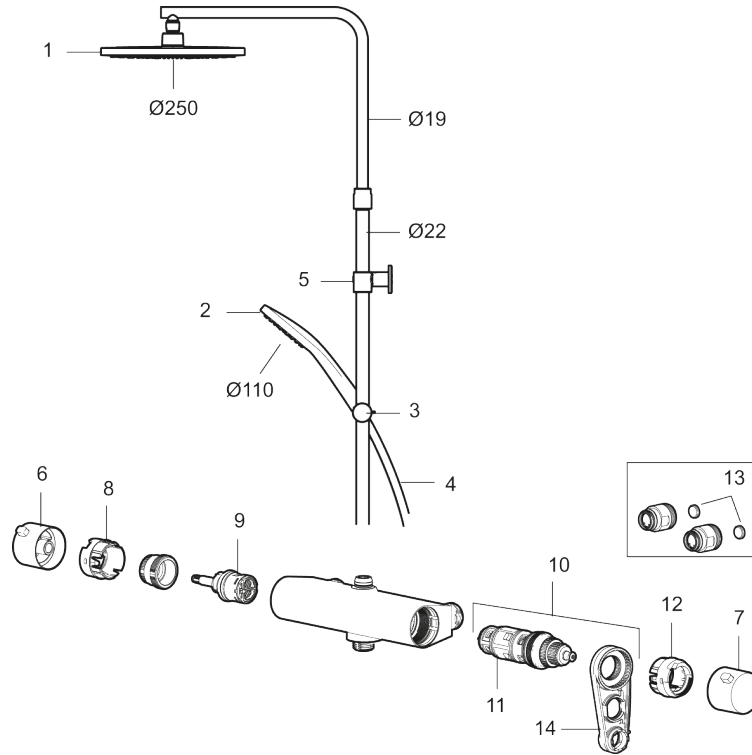
- Shower hose in metal, PVC- and BPA-free
- With Easy-Clean anti-limescale system
- Wall bracket freely adjustable in height, 700–1000 from connection and 50–100 mm from wall, 2x20 mm spacers included, with sealing, hidden pipe joint

PRODUCT DESCRIPTION

LYNX shower system kit

Everyday luxury is the driving force behind the LYNX shower system kit, which offers the ease of a handheld shower and a seductive overhead experience in one package. It is available in chrome or matte black.

Article number: 341800.LD6



Sparepartlist

NO.	ART NO.	RSK	DESCRIPTION
1	S600196	8237572	Shower head, 250 mm
1	S600196.12	8237573	
2	S600238	8233065	
2	S600238.12	8233100	
3	S600246	8239619	Slider, chrome
3	S600246.12	8239664	Slider, matte black
4	S600109	8252036	Shower hose, chrome
4	S600109.12	8236624	Shower hose in metal, 1750 mm, matte black
5	S600094	8221921	Wall bracket, chrome
6	S600237	8397026	
6	S600237.12	8397027	
7	S600236	8397024	
7	S600236.12	8397025	

NO.	ART NO.	RSK	DESCRIPTION
8	S600022	8439704	Stop ring, reversible
9	S600020	8441462	Ceramic headwork, with service tool (shower mixer)
9	S600269	8387232	Ceramic headwork, without tool (shower mixer)
10	S600084	8439709	Thermostatic cartridge, complete, incl. service tool
11	S600271	8397030	Thermostatic cartridge, complete, without service tool
12	S600023	8439703	Stop ring
13	409359.AA	8345172	Filter kit for connecting links, retail packed