



MORA FLEXX K2 kitchen mixer

Mora Flexx includes a wide range of products with a strong focus on design and smart technology, in line with our vision of caring for people and the environment. Flexx is a natural choice for anyone who aspires to a sustainable lifestyle. A wide range of models guarantees that you will find exactly the right solution for your kitchen.

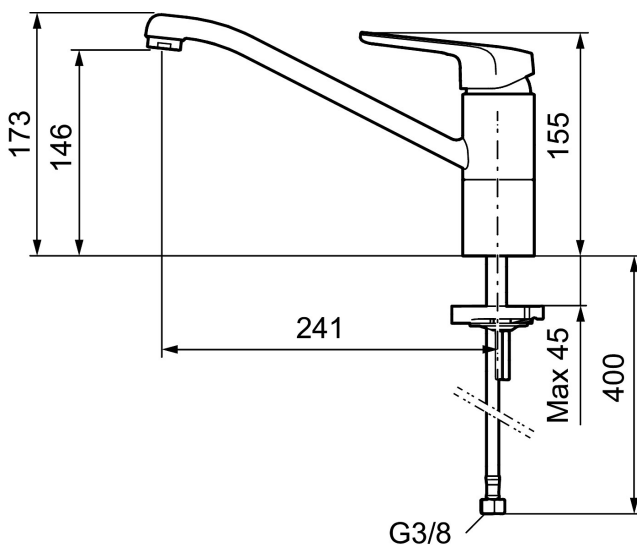
Article number: 282060

Description: Chrome

Unique characteristics

- ESS (energy saving system)
- Ceramic cartridge with soft closing function
- Adjustable flow control and temperature limiter
- Eco (energy and water saving aerator)
- Soft PEX[®] hoses with 3/8" connecting nut (stainless steel braided)
- Swivel spout 110°
- Hole diameter Ø34-37 mm

Backflow protection unit type

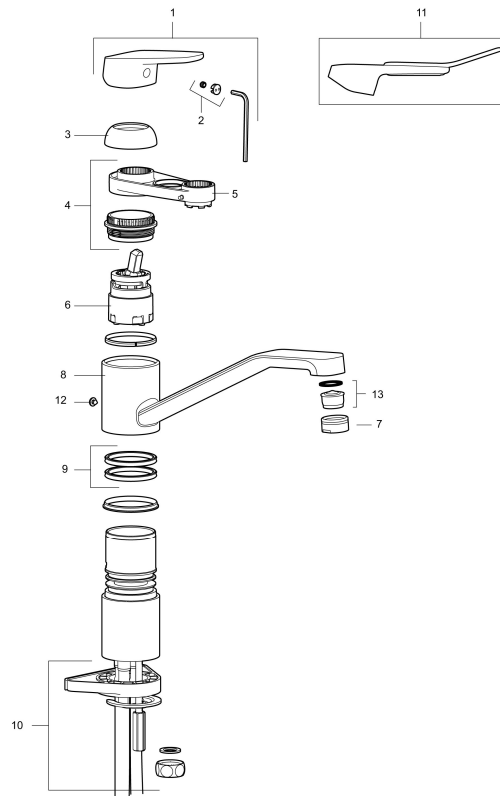


PRODUCT DESCRIPTION

MORA FLEXX K2 kitchen mixer

Mora Flexx includes a wide range of products with a strong focus on design and smart technology, in line with our vision of caring for people and the environment. Flexx is a natural choice for anyone who aspires to a sustainable lifestyle. A wide range of models guarantees that you will find exactly the right solution for your kitchen.

Article number: 282060



Sparepartlist

NO.	ART NO.	RSK	DESCRIPTION
1	409470.AE		Lever, complete
2	409392.AE	8344866	Colour marking and mounting screw for lever
3	409391.AE	8344865	Cover nut
4	409436.AE		Lock nut for cartridge, incl. service tool
5	891096.AE	8345921	Service tool
6	409403.AE	8345132	Ceramic cartridge, incl service tool
6	409405.AE	8345205	Ceramic cartridge, Turbo, incl service tool
7	131413.AE	8281511	Housing M24 ext., 13 mm, chrome
8	409510		Spout
9	409612.AE	8241745	Sealing rings (2 pcs)
10	409388.AE	8346914	Fastening details, kitchen

NO.	ART NO.	RSK	DESCRIPTION
11	409471.AE		Care lever, complete
12	409611.AE	8241744	Stop screw
13	131398.AE	8281493	Aerator insert, 9–11 l/min at 300 kPa