



## MORA FLEXX T5 shower mixer

In the Mora Flexx collection, strong focus has been placed on design. Soft, curved shapes are used consistently to create a coordinated look. This, along with our energy-saving functions and well-known high quality, makes them very popular with plumbers. Also see our shower and bath packages – smart all-in-one solutions with an overhead shower or hand shower set.

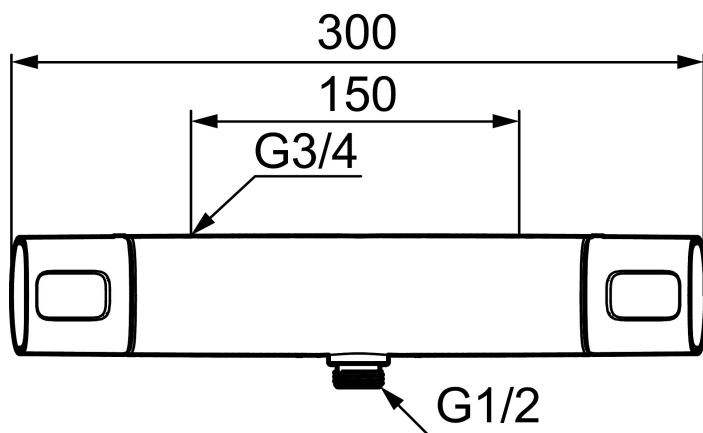
**Article number:** 281100.DB

**Description:** Chrome, incl. s-connection (2x701001)

Unique characteristics

- With shower connection down
- Pressure balanced thermostatic mixer
- Temperature handle with safety stop at 38°C
- With Eco-function
- Approved non-return valves, EN-Standard EN1717

Backflow protection unit type

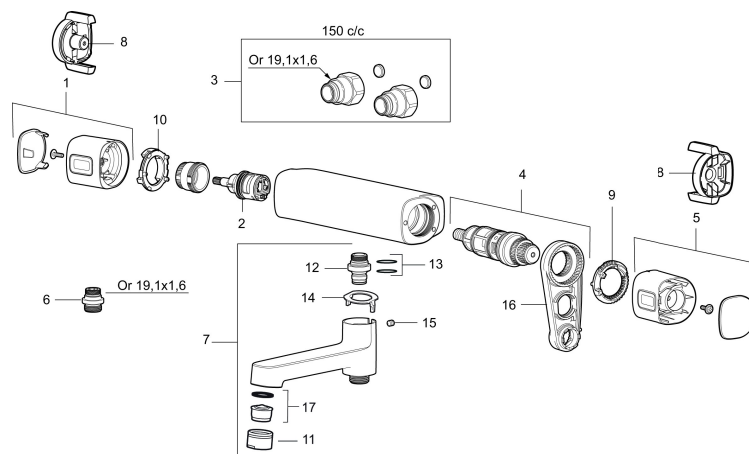


PRODUCT DESCRIPTION

# MORA FLEXX T5 shower mixer

In the Mora Flexx collection, strong focus has been placed on design. Soft, curved shapes are used consistently to create a coordinated look. This, along with our energy-saving functions and well-known high quality, makes them very popular with plumbers. Also see our shower and bath packages – smart all-in-one solutions with an overhead shower or hand shower set.

Article number: 281100.DB



## Sparepartlist

NO.	ART NO.	RSK	DESCRIPTION
1	409460.AE		On/off handle, complete
2	707977.AE		Ceramic headwork, reversible
3	409360.AA	8187781	Inlet connector 150 c/c (left-handed thread), retail packed
4	409355.AE	8345136	Thermostatic cartridge, complete, with service tool
5	409461.AE		Temperature handle, complete
6	409365.AE	8187026	Nipple M18x1 - G1/2
7	409550		Swivel spout, for conversion of shower mixer to bath/shower mixer
8	409462.AE		Care-handle, 2 pcs
9	209559.AE		Scalding protection ring
10	707900.AE		Stop ring, standard
10	707901.AE		Stop ring, reversible
11	131415.AE	8281512	Housing M24 utv., 15 mm, chrome
12	409366.AE		Nipple M18x1 with o-ring for bath mixer
13	209519.AE	8938340	O-ring, for swivel spout
14	129154.AE	8295332	Stop ring
15	708655.AE	8295447	Locking screw

NO.	ART NO.	RSK	DESCRIPTION
16	891096.AE	8345921	Service tool
17	139783.AE	8281546	Aerator inlet, 20–24 l/min at 300 kPa