



## MORA REXX T5 bath mixer

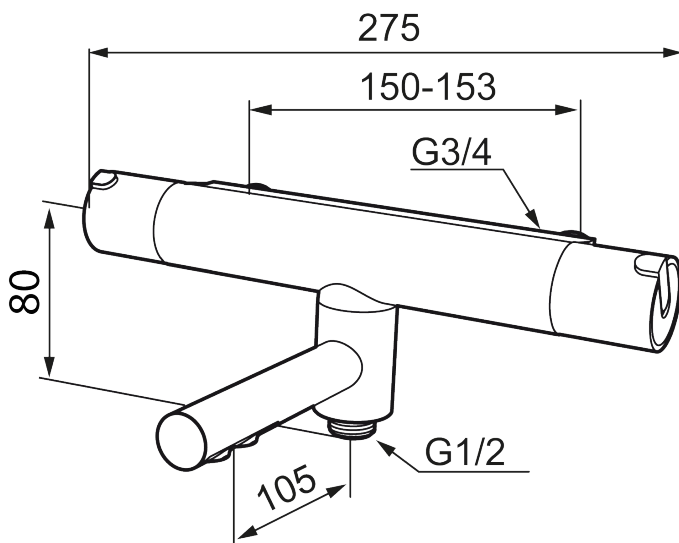
With their simple, minimalist design, Mora REXX mixers are the essence of Scandinavian design and functionality. Their innovation lies in their precision. When tradition and craftsmanship meet state-of-the-art manufacturing methods and inspiring design, the result is Mora REXX. The version shown here is a beautiful bath mixer with world-leading functionality for unbeatable safety and comfort.

**Article number:** 707010.DB

**Description:** Chrome, 150 c/c, incl. s-connection ( 2x701001)

Unique characteristics

- Swivel spout with built-in diverter
- Compensates for temperature and pressure fluctuations
- Temperature handle with safety stop at 38°C
- With Eco-function
- Approved non-return valves, EN-Standard EN1717

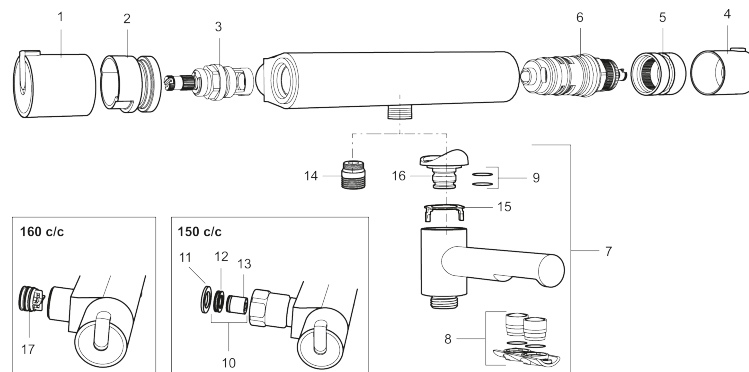


PRODUCT DESCRIPTION

# MORA REXX T5 bath mixer

With their simple, minimalist design, Mora REXX mixers are the essence of Scandinavian design and functionality. Their innovation lies in their precision. When tradition and craftsmanship meet state-of-the-art manufacturing methods and inspiring design, the result is Mora REXX. The version shown here is a beautiful bath mixer with world-leading functionality for unbeatable safety and comfort.

Article number: 707010.DB



## Sparepartlist

| NO. | ART NO.       | RSK     | DESCRIPTION  |
|-----|---------------|---------|--|
| 1   | 209511.AE     | 8345176 | Temperature handle, chrome   |
| 1   | 209511.0011AE | 8345177 | Temperature handle, chrome/black   |
| 2   | 209513.AE     | 8346508 | Stop ring, temperature   |
| 3   | 708467.AE     | 8345124 | Headwork   |
| 4   | 209510.AE     | 8345163 | On/off handle, chrome  |
| 4   | 209510.0011AE | 8345164 | On/off handle, chrome/black  |
| 5   | 209512.AE     | 8346507 | Stop ring, on/off  |
| 6   | 708468.AE     | 8345130 | Thermostatic unit  |
| 7   | 209515        | 8344849 | Swivel spout, for coversion of shower mixer to bath/shower mixer, chrome       |
| 7   | 209515.0011   | 8344850 | Swivel spout, for coversion of shower mixer to bath/shower mixer, chrome/black |
| 8   | 209516.AE     | 8242291 | Aerator kit, chrome  |
| 8   | 209516.0011AE | 8242295 | Aerator kit, chrome/Black  |
| 9   | 209519.AE     | 8938340 | O-ring, for swivel spout   |
| 10  | 708338.AE     |         | Non-return valve (2 pcs)   |
| 11  | 709339.AE     | 8938274 | Gasket 24/15x2, 2 pcs  |
| 12  | 708080.AE     |         | Holder for filter, complete  |
| 13  | 139465.AE     | 8186872 | Non-return valve, with lock ring   |

| NO. | ART NO.   | RSK     | DESCRIPTION                  |
|-----|-----------|---------|------------------------------|
| 14  | 409659.AE | 8187025 | Shower connector M18x1xG1/2  |
| 15  | 129154.AE | 8295332 | Stop ring                    |
| 16  | 209494.AE | 8314141 | Spout nipple incl cover ring |
| 17  | 129380.AE | 8345651 | Non-return valve (2 pcs)     |