



## MORA INXX II soft kitchen mixer

With its durable matt white finish and soft lines, the INXX II soft kitchen mixer lends luxury and elegance to your kitchen. The mixer has been tested and approved according to current building regulations and is energy-efficient, which means it reduces water and energy use without compromising on comfort.

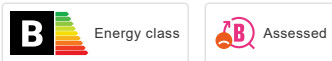
### About the collection

INXX II is an elegant, timeless collection in a palette of carefully selected colours. Offering a combination of high quality, sober design and outstanding comfort, this is the ultimate collection.

Article number: 272151.22CA Flow 3 bar: 6.0 l/m

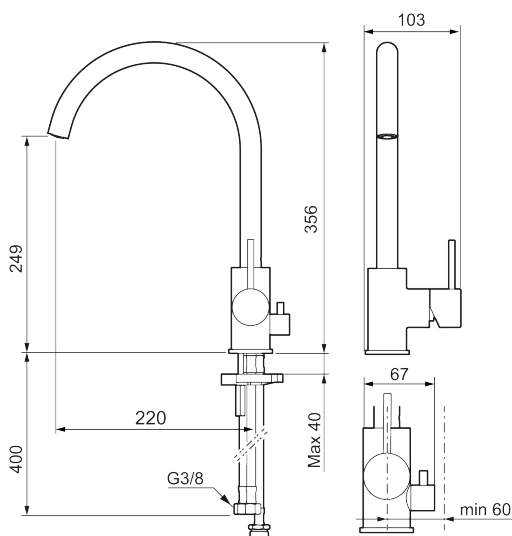
Description: Matte white

### Unique characteristics



Backflow protection unit type **AA**

- Ceramic cartridge
- Adjustable flow control and temperature limiter
- Soft PEX<sup>®</sup> hoses with 3/8" connecting nut (stainless steel braided)
- Swivel spout, limitation part for 60°, 85°, 110° or 360° included
- With dish washer valve CW, not adjustable to HW
- Hole diameter Ø34-37 mm



PRODUCT DESCRIPTION

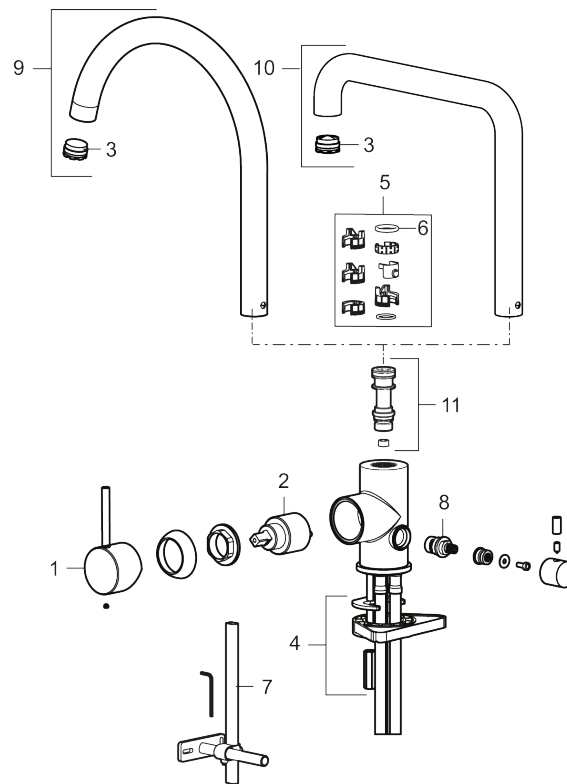
# MORA INXX II soft kitchen mixer

With its durable matt white finish and soft lines, the INXX II soft kitchen mixer lends luxury and elegance to your kitchen. The mixer has been tested and approved according to current building regulations and is energy-efficient, which means it reduces water and energy use without compromising on comfort.

### About the collection

INXX II is an elegant, timeless collection in a palette of carefully selected colours. Offering a combination of high quality, sober design and outstanding comfort, this is the ultimate collection.

Article number: 272151.22CA



### Sparepartlist

NO.	ART NO.	RSK	DESCRIPTION
1	409700.AE	8394069	Lever, complete, chrome
1	409700.12AE	8394070	Lever, complete, matte black
1	409700.22AE	8394071	Lever, complete, matte white
1	409700.44AE	8394072	Lever, complete, matte grey
1	409700.60AE	8394073	Lever, complete, polished brass PVD
1	409700.62AE	8394074	Lever, complete, brushed brass PVD
1	409700.76AE	8394075	Lever, complete, brushed nickel

NO.	ART NO.	RSK	DESCRIPTION
2	409702.AE	8437059	Ceramic cartridge
3	S600230		Aerator M21,5 ext., Z
4	S600055		Fastening details
5	209565.AE		Limitation segment
6	708843.AE	8295357	O-ring (15,54 x 2,62), 2 pcs
7	409340.AE	8531598	Stabilization kit
8	409707.AE	8394082	Ceramic cartridge for dish washer connection
9	409712.AE	8441027	Swivel spout, chrome
9	409712.12AE	8441028	Swivel spout, matte black
9	409712.22AE	8441029	Swivel spout, matte white
9	409712.44AE	8441030	Swivel spout, matte grey
9	409712.60AE	8441031	Swivel spout, polished brass PVD
9	409712.62AE	8441032	Swivel spout, brushed brass PVD
9	409712.76AE	8441033	Swivel spout, Brushed nickel
10	409713.AE	8441034	Swivel spout, chrome
10	409713.12AE	8441035	Swivel spout, matte black
10	409713.22AE	8441036	Swivel spout, matte white
10	409713.44AE	8441037	Swivel spout, matte grey
10	409713.60AE	8441038	Swivel spout, polished brass PVD
10	409713.62AE	8441039	Swivel spout, brushed brass PVD
10	409713.76AE	8441040	Swivel spout, Brushed nickel
11	S600231		Spout nipple, complete