



MORA MMIX T5 shower mixer

Mora MMIX combines elegance and ergonomic design with energy-efficiency. Soft geometric curves and a timeless style characterise the entire Mora MMIX range. The mixers were developed according to our unique EcoSafe™ concept focusing on low energy consumption and long-term environmental care.

Article number: 731000

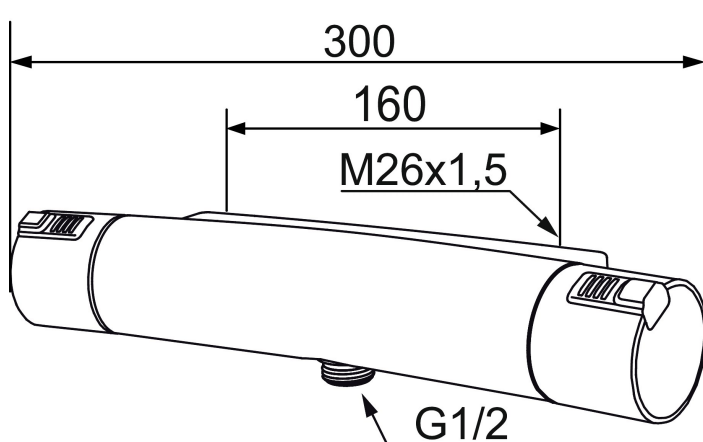
Description: Chrome, 160 c/c

Uniqe characteristics



- With shower connection down
- Pressure balanced thermostatic mixer
- Temperature handle with safety stop at 38°C
- With Eco-function
- Lead Free material
- Approved non-return valves, EN-Standard EN1717

Backflow protection unit type 

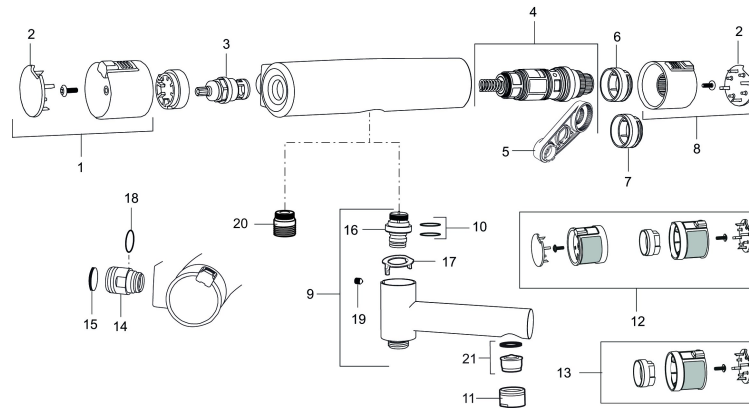


PRODUCT DESCRIPTION

MORA MMIX T5 shower mixer

Mora MMIX combines elegance and ergonomic design with energy-efficiency. Soft geometric curves and a timeless style characterise the entire Mora MMIX range. The mixers were developed according to our unique EcoSafe™ concept focusing on low energy consumption and long-term environmental care.

Article number: 731000



Sparepartlist

| NO. | ART NO. | RSK | DESCRIPTION |
|-----|---------------|---------|---|
| 1 | 409353.AA | 8345088 | On/off handle, complete, chrome, retail packed |
| 1 | 409353.0011AA | 8345087 | On/off handle, complete, chrome/black, retail packed |
| 2 | 409358.AA | 8345089 | End cover, chrome, retail packed |
| 2 | 409358.0011AA | 8345090 | End cover, black, retail packed |
| 3 | 409354.AA | 8345137 | Ceramic headwork, retail packed |
| 4 | 409355.AE | 8345136 | Thermostatic cartridge, complete, with service tool |
| 5 | 891096.AE | 8345921 | Service tool |
| 6 | 409363.AE | 8346505 | Scalding protection ring, (standard) |
| 7 | 409364.AE | 8346506 | Scalding protection ring, (max 42 °C) |
| 8 | 409352.AA | 8345086 | Temperature handle, complete, chrome, retail packed |
| 8 | 409352.0011AA | 8345085 | Temperature handle, complete, chrome/black, retail packed |
| 9 | 409356 | 8344853 | Swivel spout, for conversion of shower mixer to bath/shower mixer, chrome |
| 10 | 209519.AE | 8938340 | O-ring, for swivel spout |
| 11 | 131415.AE | 8281512 | Housing M24 utv., 15 mm, chrome |
| 12 | 409370.AA | 8345139 | Rebuild kit, care, black/chrome, retail packed |
| 12 | 409370.0085AA | 8345162 | Rebuild kit, care, lime/black, retail packed |
| 12 | 409370.0095AE | 8345210 | Rebuild kit, care, red/black |

| NO. | ART NO. | RSK | DESCRIPTION |
|-----|-----------|---------|---|
| 13 | 409440.AE | 8345211 | Rebuild kit with fixed temp. stop, care, chrome |
| 14 | 409360.AA | 8187781 | Inlet connector 150 c/c (left-handed thread), retail packed |
| 14 | 409361.AE | 8228492 | Inlet connector 160 c/c |
| 15 | 409359.AA | 8345172 | Filter kit for connecting links, retail packed |
| 16 | 409366.AE | | Nipple M18x1 with o-ring for bath mixer |
| 17 | 129154.AE | 8295332 | Stop ring |
| 18 | 129131.AE | 8295316 | O-ring (18,1 x 1,6), 2 pcs |
| 19 | 708655.AE | 8295447 | Locking screw |
| 20 | 409365.AE | 8187026 | Nipple M18x1 - G1/2 |
| 21 | 139783.AE | 8281546 | Aerator inlet, 20–24 l/min at 300 kPa |