



MMIX II basin mixer

Article number: 333087 Flow 3 bar: 4.5 l/m

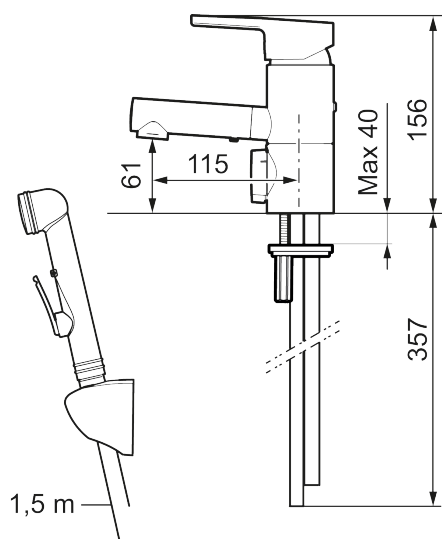
Description: Chrome

- With self-closing hand shower, wall bracket and hose
- ESS (energy saving system)
- Ceramic cartridge with soft closing function
- Adjustable flow control and temperature limiter
- Swivel spout 110°
- With dishwasher valve, switchable between cold and hot water. Pre-set on cold water
- Connection Cu-pipe Ø10 mm
- Approved non-return valves, EN-Standard EN 1717
- Lead Free material
- Hole diameter Ø34-37 mm

Unique characteristics



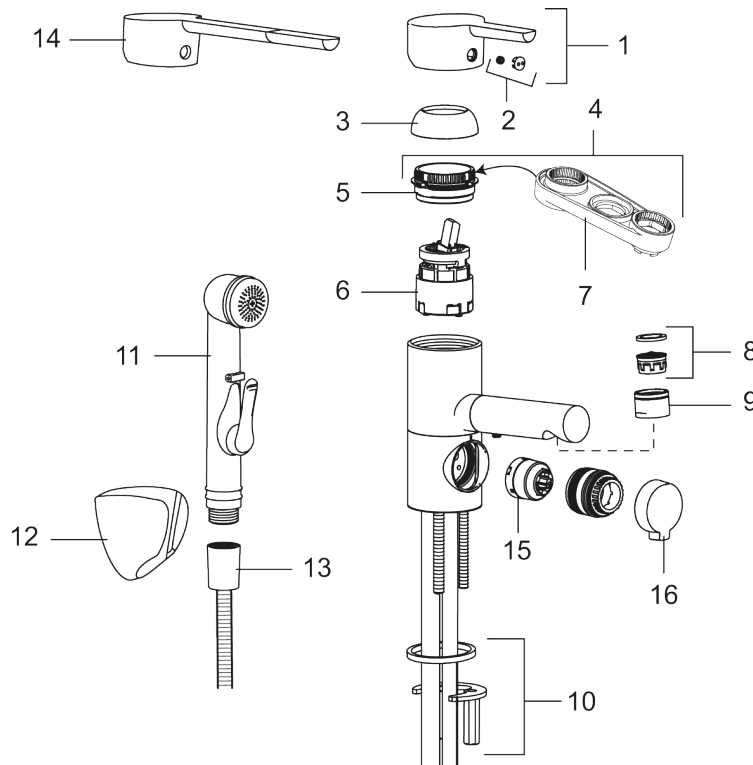
Backflow protection unit type **EB**



PRODUCT DESCRIPTION

MMIX II basin mixer

Article number: 333087



Sparepartlist

NO.	ART NO.	RSK	DESCRIPTION
1	409389.AE	8344867	Lever, complete
2	409392.AE	8344866	Colour marking and mounting screw for lever
3	409391.AE	8344865	Cover nut
4	409393.AE	8345179	Lock nut for cartridge, incl service tool
5	439060.AE	8295361	Lock nut
6	S600253	8387149	Ceramic cartridge with service tool
7	S600298	3870203	Service tool
8	132205.AE	8281441	Aerator insert, 5 l/min at 200–600 kPa
9	S600258	8280065	Housing M24 utv., 15 mm, chrome
10	409407.AE		Fastening details
11	S600206	8233049	Self-closing hand shower, chrome
12	S600157	8239542	Wall bracket, chrome
13	S600152	8236561	High-pressure shower hose, L=1,5 m, chrome
14	409390.AE	8344874	Care lever, complete, chrome
15	S600337	8346905	Ceramic cartridge for dishwasher, with service tool

NO.	ART NO.	RSK	DESCRIPTION
15	S600316	8387265	Ceramic cartridge for dishwasher, without service tool
16	409400.AE	8345180	Handle for dish washer connection