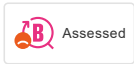

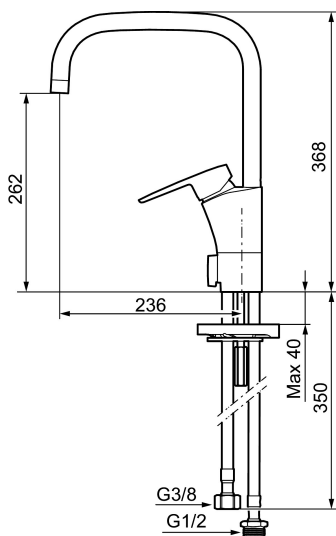




Unique characteristics



Backflow protection unit type 



MORA CERA K7 kitchen mixer

In today's families, the kitchen is a space for socialising and creativity. A modern kitchen mixer must look good, work perfectly and promote a high level of hygiene and safety. That's why Mora Cera offers the things that everyone wants in their kitchen: thoughtfulness and quality time.

Article number: 242071 Flow 3 bar: 7.9 l/m

Description: Chrome

- ESS (energy saving system)
- Ceramic cartridge with soft closing function
- Adjustable flow control and temperature limiter
- Eco (energy and water saving aerator)
- Soft PEX[®] hoses with 3/8" connecting nut (stainless steel braided)
- Swivel spout 60°, 85°, 110° or 360° (limitation part for 60° or 110° included)
- With dishwasher valve, switchable between cold and hot water. Pre-set on cold water
- Hole diameter Ø32-37 mm