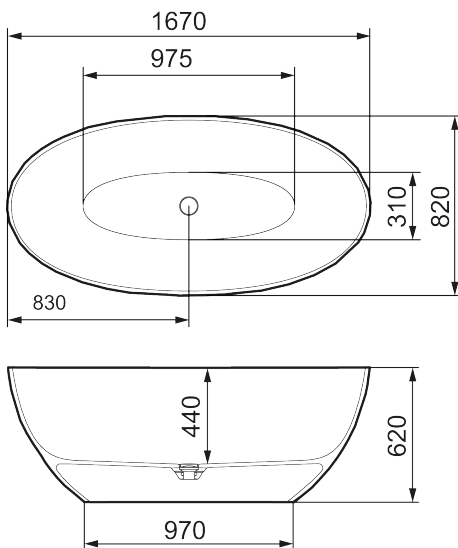




Unique characteristics



MORA LAVA IX

Spectacular in every sense, the LAVAFreestander Bath IX has a striking, textural exterior and serene interior form. Crafted in mineral composite, its three-dimensional expression adds elegance and luxury to any space. Comes with a matching wash basin for an aesthetic beyond compare.

About the collection

With a name that evokes the flowing mineral-rich qualities of volcanic rock. Made from a tactile, durable mineral composite with thermal insulating qualities, the Lava range combines harmonious, modern aesthetics with comfort.

In any color you want



Article number: 951009.22

Description: Matte white, L1670 x W820 x H620

- Freestanding bathtub in mineral composite with a textural form
- Double-sided model - relaxing soak at either end of the tub
- Pre-installed white bottom valve
- Discrete integrated overflow
- Volume: 309 l
- Weight: 168 kg