



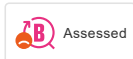
MORA INXX II soft kitchen mixer

Article number: 272101.LD3 **Flow 3 bar:** 3.8 l/m

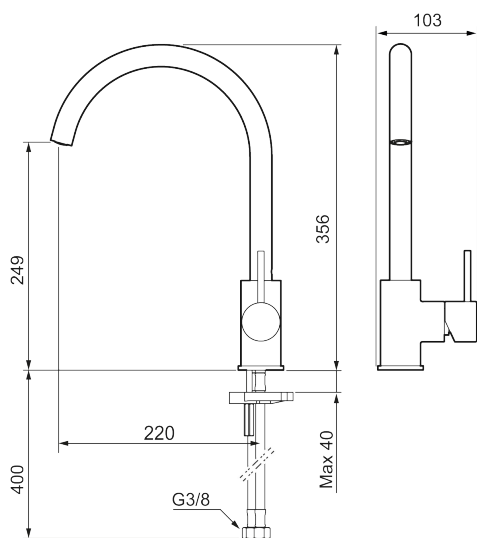
Description: Chrome, LEED/BREEAM compliant

- Ceramic cartridge
- Adjustable flow control and temperature limiter
- Soft PEX[®] hoses with 3/8" connecting nut (stainless steel braided)
- Swivel spout, limitation part for 60°, 85°, 110° or 360° included
- Hole diameter Ø34-37 mm

Unique characteristics



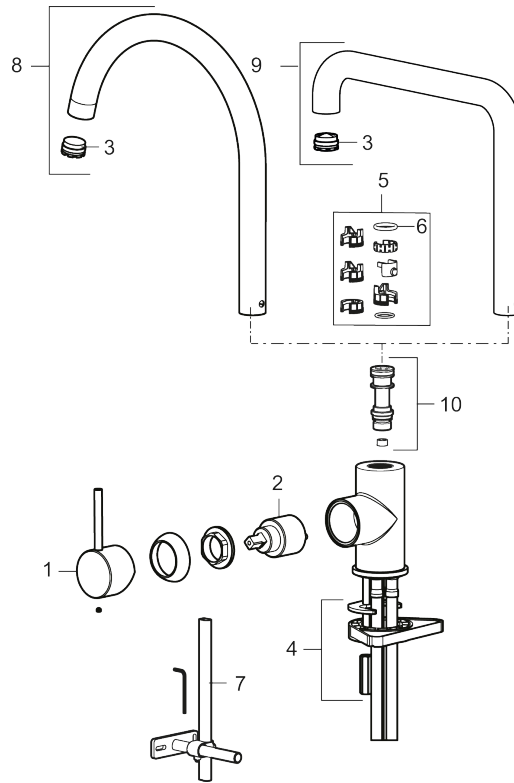
Backflow protection unit type **AA**



PRODUCT DESCRIPTION

MORA INXX II soft kitchen mixer

Article number: 272101.LD3



Sparepartlist

NO.	ART NO.	RSK	DESCRIPTION
1	409700.AE	8394069	Lever, complete, chrome
1	409700.12AE	8394070	Lever, complete, matte black
1	409700.22AE	8394071	Lever, complete, matte white
1	409700.44AE	8394072	Lever, complete, matte grey
1	409700.60AE	8394073	Lever, complete, polished brass PVD
1	409700.62AE	8394074	Lever, complete, brushed brass PVD
1	409700.76AE	8394075	Lever, complete, brushed nickel
2	409702.AE	8437059	Ceramic cartridge
3	S600230		Aerator M21,5 ext., Z
4	S600055		Fastening details
5	209565.AE		Limitation segment
6	708843.AE	8295357	O-ring (15,54 x 2,62), 2 pcs
7	S600308	8387263	Stabilizer kit
8	409712.AE	8441027	Swivel spout, chrome

NO.	ART NO.	RSK	DESCRIPTION
8	409712.12AE	8441028	Swivel spout, matte black
8	409712.22AE	8441029	Swivel spout, matte white
8	409712.44AE	8441030	Swivel spout, matte grey
8	409712.60AE	8441031	Swivel spout, polished brass PVD
8	409712.62AE	8441032	Swivel spout, brushed brass PVD
8	409712.76AE	8441033	Swivel spout, Brushed nickel
9	409713.AE	8441034	Swivel spout, chrome
9	409713.12AE	8441035	Swivel spout, matte black
9	409713.22AE	8441036	Swivel spout, matte white
9	409713.44AE	8441037	Swivel spout, matte grey
9	409713.60AE	8441038	Swivel spout, polished brass PVD
9	409713.62AE	8441039	Swivel spout, brushed brass PVD
9	409713.76AE	8441040	Swivel spout, Brushed nickel
10	S600231		Spout nipple, complete