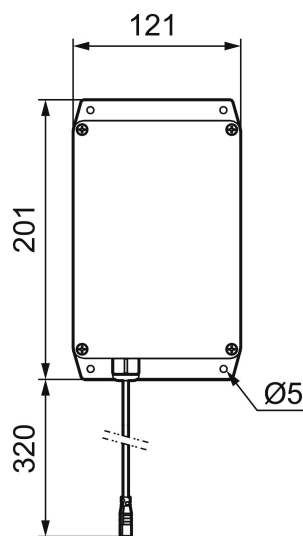




Unique characteristics



## Gateway, Tronic WMS

**Article number:** 729481

**Description:** Grey

- Tronic Gateway is a wireless connection point between mixer and the Water Management System (WMS)
- Enables transmission of data to and from the mixer. Mixers connected to the system register status, water consumption, temperature and any faults that might occur.
- Communication between mixer and Gateway is radio based (868 MHz). The communication between Gateway and the WMS system is done via the 2G/4G network
- Placed centrally within the required coverage area, range appr. 30 m
- Supports maximum 30 mixers
- Power supply by plug adapter art.no. S600129, alternatively transformer art.no. S600128