

FM Mattsson Group

Box 480, SE-792 27 Mora

Tel. +46 (0)250 59 60 00

www.moraarmatur.com

Monteringsanvisning/
Installation instruction

MA: 101 02 12 - Rev. 001

2025.01.16

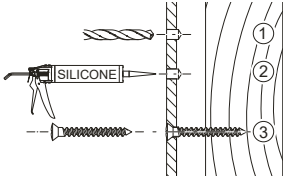
mora

MORA LYNX DUSCHSET SHOWER SET

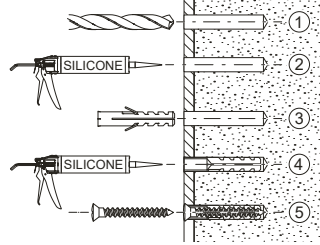


Accepterad
monteringsanvisning
2021:1

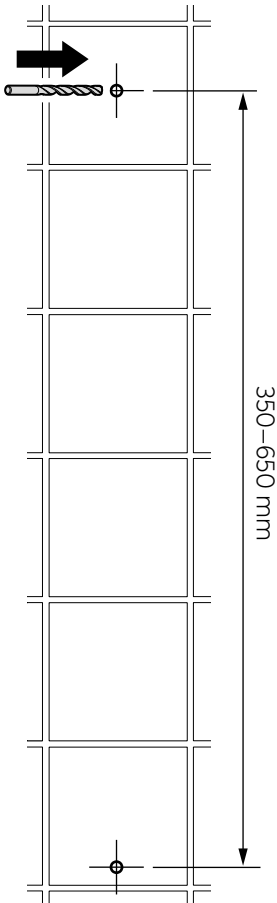
① A ——— Trä / Wood



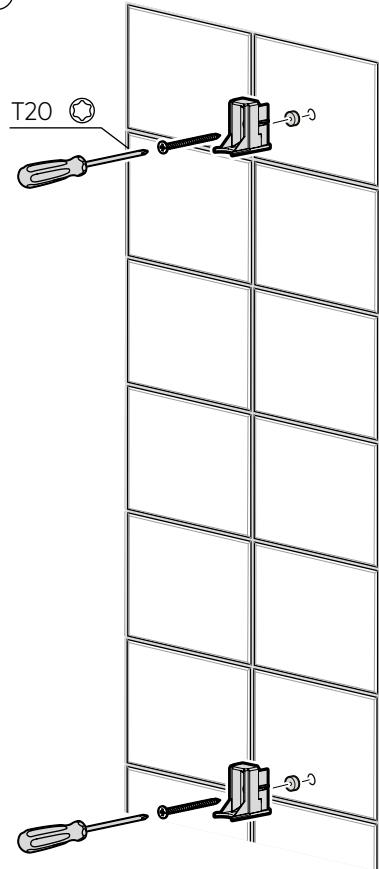
① B ——— Betong / Concrete

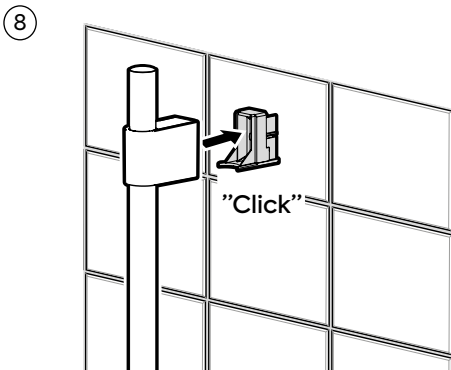
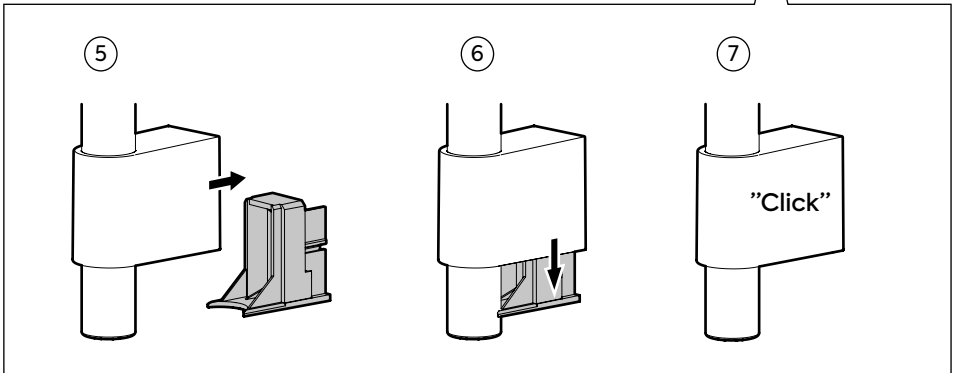
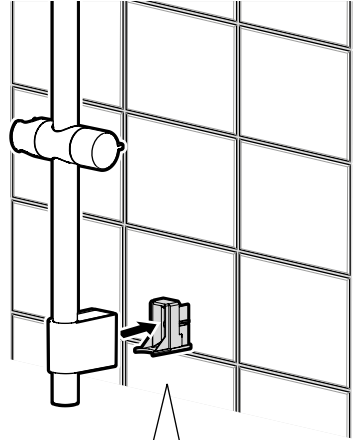
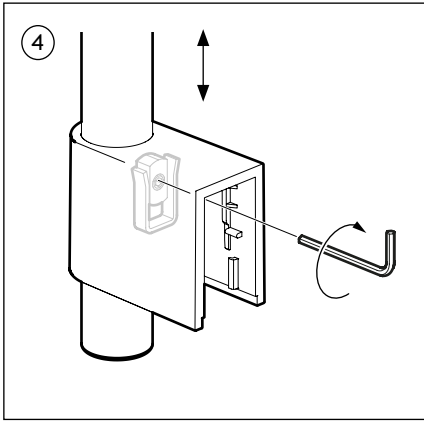


②



③





SV Rengöring
EN Cleaning

