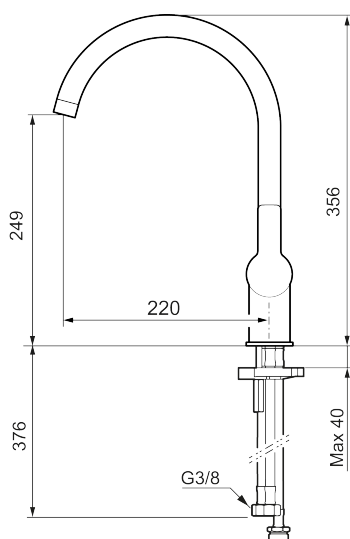




Unique characteristics



Backflow protection unit type **AA**



## LYNX soft kitchen mixer

A minimal, timeless kitchen mixer in matte black or chrome. It features an easy-on-the-eye cylindrical profile, a gently curved neck, and a charismatic, flattened lever. Includes dishwasher cutoff switch to protect against water damage.

Article number: 344151 Flow 3 bar: 6.0 l/m

Description: Chrome

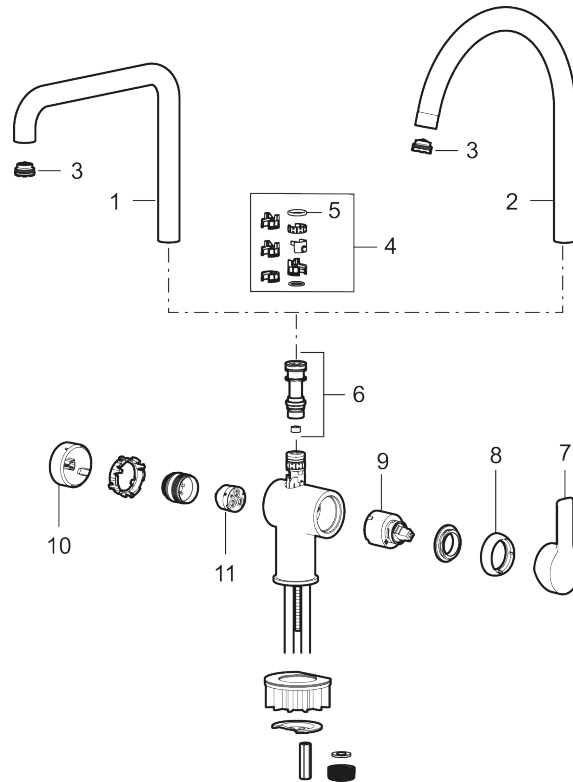
- Adjustable flow control and temperature limiter
- Swivel spout, limitation part for 60°, 85°, 110° or 360° included
- With dishwasher valve, switchable between cold and hot water. Pre-set on cold water
- Soft PEX® hoses with 3/8" connecting nut (stainless steel braided)
- Lead Free material
- Hole diameter Ø34-37 mm

PRODUCT DESCRIPTION

LYNX soft kitchen mixer

A minimal, timeless kitchen mixer in matte black or chrome. It features an easy-on-the-eye cylindrical profile, a gently curved neck, and a charismatic, flattened lever. Includes dishwasher cutoff switch to protect against water damage.

Article number: 344151



Sparepartlist

NO.	ART NO.	RSK	DESCRIPTION
1	409713.AE	8441034	Swivel spout, chrome
1	409713.12AE	8441035	Swivel spout, matte black
2	409712.AE	8441027	Swivel spout, chrome
2	409712.12AE	8441028	Swivel spout, matte black
3	S600230		Aerator M21,5 ext., Z
4	209565.AE		Limitation segment
5	708843.AE	8295357	O-ring (15,54 x 2,62), 2 pcs
6	S600231		Spout nipple, complete
7	S600243	8387197	
7	S600243.12	8387198	
8	S600240	8397022	
8	S600240.12	8397023	

NO.	ART NO.	RSK	DESCRIPTION
9	708301.AE	8345093	Ceramic cartridge
10	S600241	8387194	
10	S600241.12	8387195	
11	S600337	8346905	Ceramic cartridge for dishwasher, with service tool
11	S600316	8387265	Ceramic cartridge for dishwasher, without service tool