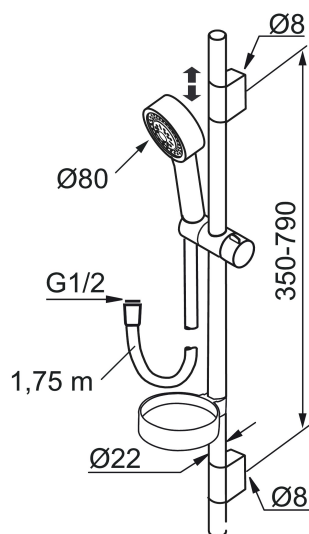
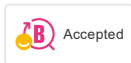




Unique characteristics



MORA MMIX S5 shower set

Mora MMIX combines elegance and ergonomic design with energy-efficiency. Soft geometric curves and a timeless style characterise the entire Mora MMIX range. The mixers were developed according to our unique EcoSafe™ concept focusing on low energy consumption and long-term environmental care.

Article number: 130310 **Flow 3 bar:** 9.0 l/m

Description: Chrome

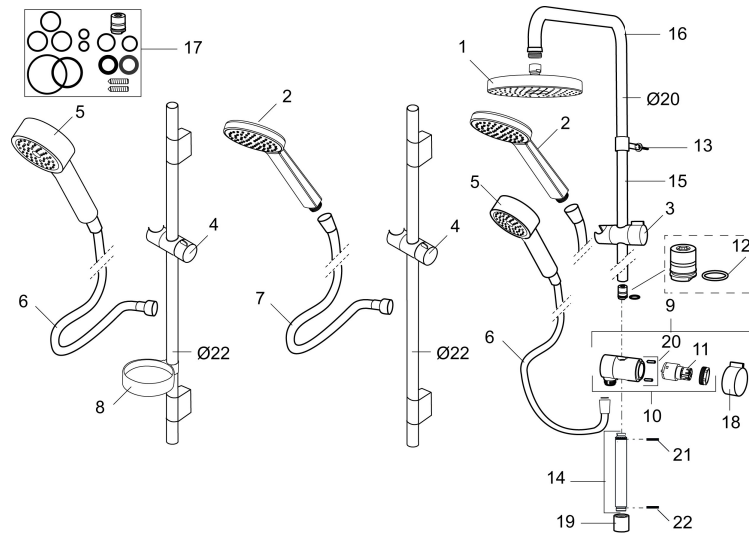
- Shower hose in metal, PVC- and BPA-free
- With soap dish
- With adjustable wall brackets for usage of existing screw holes
- With Easy-Clean anti-limescale system
- Eco (energy and water saving hand shower 9 l/min)

PRODUCT DESCRIPTION

MORA MMIX S5 shower set

Mora MMIX combines elegance and ergonomic design with energy-efficiency. Soft geometric curves and a timeless style characterise the entire Mora MMIX range. The mixers were developed according to our unique EcoSafe™ concept focusing on low energy consumption and long-term environmental care.

Article number: 130310



Sparepartlist

NO.	ART NO.	RSK	DESCRIPTION
	139912.AE	8221715	Distance ring Ø18, Ø20 and Ø22 mm, for soap dish 409416
1	209544	8180716	Shower head for S5, 180 mm
1	209545	8180717	Shower head for S6, 180 mm
2	130374	8275308	Hand shower for S6
3	409418.AE	8284740	Slider
4	130363.AE	8762730	Slider
5	130361	8199196	Hand shower
6	139835.AE	8199159	Shower hose in metal, 1750 mm
7	130365.AE	8251937	Shower hose (silver) 1750 mm
8	409416	8185645	Soap dish
9	409422	8541659	Diverter, complete
10	409430.AE	8541683	Diverter
11	409417.AA	8541628	Cartridge for diverter
12	639173.AE	8295314	Gasket (2 pcs)
13	139906.AE	8180378	Clip for shower bar 20 mm

NO.	ART NO.	RSK	DESCRIPTION
14	209549.AE	8180946	Connecting pipe
15	209548.AE	8180944	Lower bar
16	209550.AE	8180947	Upper bar for S5
17	409425.AE	8346925	Spare bag for Mora Shower System
18	409443.AE	8295326	Handle for diverter
19	209291.AE	8295321	Transition nipple G1/2 - M18x1
20	139812.AE	8295323	Stop screw M5x20
21	309246.AE	8295312	O-ring (13,1 x 1,6)
22	609029.AE	8295315	O-ring (16,1 x 1,6)