

MORA CERA B5 basin mixer

A bathroom is a place for relaxation, pleasure and recharging your batteries. So fill it with enjoyment. Save energy effortlessly, protect against fluctuations in water temperature, take an extra long shower with a clear conscience. Mora Cera puts quality time in your bathroom in countless ways.

Article number: 243006.CA Flow 3 bar: 4.5 l/m

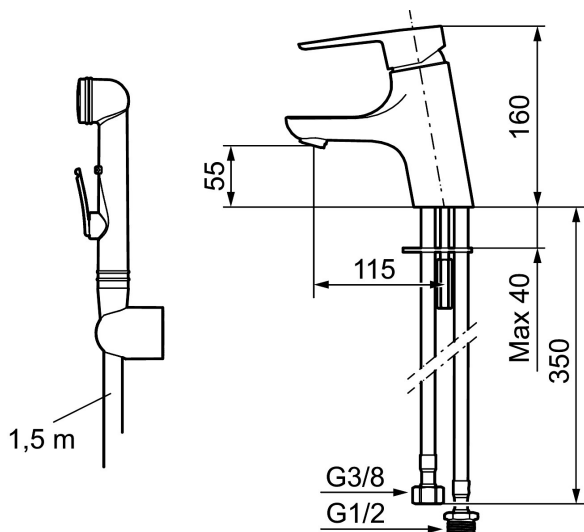
Description: Chrome

- With self-closing hand shower, wall bracket and hose
- ESS (energy saving system)
- Ceramic cartridge with soft closing function
- Adjustable flow control and temperature limiter
- Eco (energy and water saving constant flow aerator, 5 l/min at 200–600 kPa)
- Soft PEX[®] hoses with 3/8" connecting nut (stainless steel braided)
- Approved non-return valves, EN-Standard EN1717
- Hole diameter Ø33,5-37 mm



Unique characteristics

Backflow protection unit type 

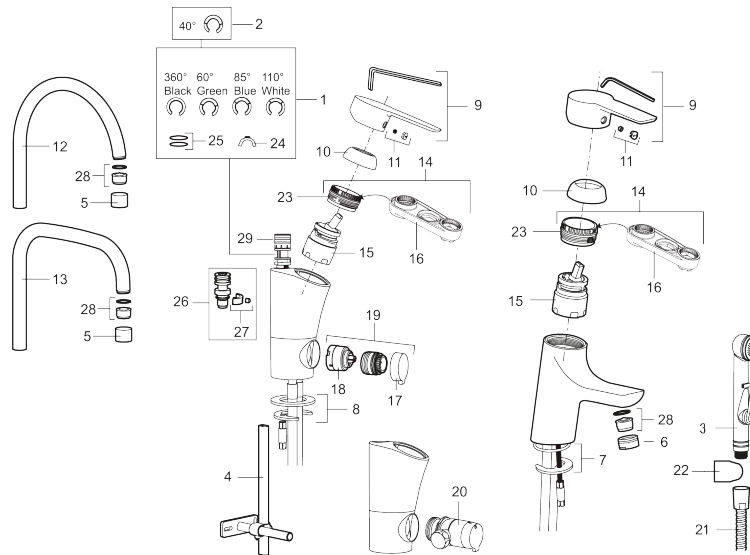


PRODUCT DESCRIPTION

MORA CERA B5 basin mixer

A bathroom is a place for relaxation, pleasure and recharging your batteries. So fill it with enjoyment. Save energy effortlessly, protect against fluctuations in water temperature, take an extra long shower with a clear conscience. Mora Cera puts quality time in your bathroom in countless ways.

Article number: 243006.CA



Sparepartlist

NO.	ART NO.	RSK	DESCRIPTION
1	209524.AE	8346915	Limitation segment
2	209543.AE	8346916	Limitation segment 40°
3	S600206	8233049	Self-closing hand shower, chrome
4	409340.AE	8531598	Stabilization kit
5	131410.AE	8281509	Housing M22 int.
6	131413.AE	8281511	Housing M24 ext., 13 mm, chrome
7	409387.AE	8346912	Fastening details, basin
8	409388.AE	8346914	Fastening details, kitchen
9	409600.AE	8345186	Lever, complete
10	409391.AE	8344865	Cover nut
11	409392.AE	8344866	Colour marking and mounting screw for lever
12	409395.AE	8326732	Spout K5, complete
13	409396.AE	8326733	Spout K7, complete
14	409393.AE	8345179	Lock nut for cartridge, incl service tool
15	S600273	8387230	Ceramic cartridge with service tool, cold start (green ring)
16	891096.AE	8345921	Service tool

NO.	ART NO.	RSK	DESCRIPTION
17	409400.AE	8345180	Handle for dish washer connection
18	209504.AE		Ceramic cartridge for dish washer connection CW/HW, incl. service tool
19	409104.AE	8322314	Dishwasher isolator cartridge, incl. service tool
20	409399.AE	8347223	Rebuild.kit for dish washer
21	S600207	8236647	Shower hose, L=1,5 m, chrome
22	130732.AE	8184186	Wall bracket
23	439060.AE	8295361	Lock nut
24	309519.AE	8295318	Fixed plug, 2 pcs (black/grey)
25	708843.AE	8295357	O-ring (15,54 x 2,62), 2 pcs
26	109016.AE	8295331	Spout nipple, complete, for fixed spout
27	139595.AE	8295313	Stop screw with limitation segment
28	132205.AE	8281441	Aerator insert, 5 l/min at 200–600 kPa
28	131394.AE	8242225	Aerator insert, 7–9 l/min at 300 kPa
28	132408.AE	8281439	Aerator insert, 8 l/min at 200–600 kPa
29	S600018	8394128	Spout nipple, complete