



## MORA INXX II sharp, small basin mixer

INXX II basin mixers are available in three different heights, including small which is suitable for small basins. With its durable matt white finish and straight lines, long spout and slanted nozzle, the INXX II sharp basin mixer is attractive to look at and practical to use. The mixer has been tested and approved according to current building regulations and is energy-efficient, which means it reduces water and energy use without compromising on comfort. A push down-waste in a matching colour is available as an accessory.

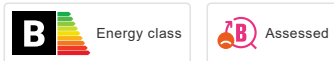
### About the collection

INXX II is an elegant, timeless collection in a palette of carefully selected colours. Offering a combination of high quality, sober design and outstanding comfort, this is the ultimate collection.

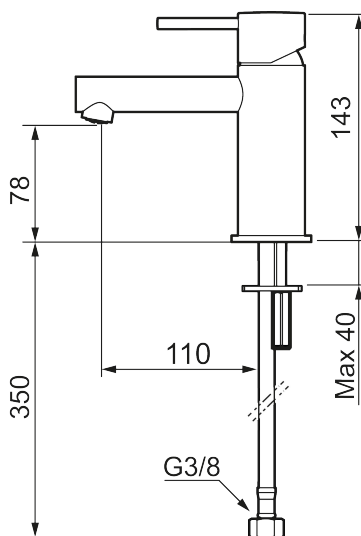
Article number: 273003.22CA Flow 3 bar: 4.5 l/m

Description: Matte white

#### Unique characteristics



Backflow protection unit type 



- Ceramic cartridge
- Adjustable flow control and temperature limiter
- Soft PEX® hoses with 3/8" connecting nut (stainless steel braided)
- Hole diameter Ø34-37 mm

PRODUCT DESCRIPTION

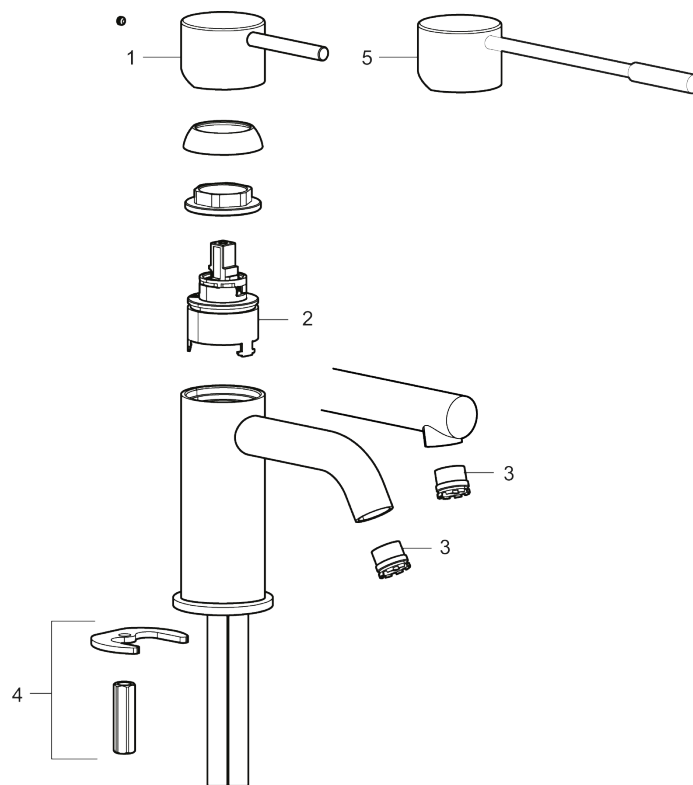
# MORA INXX II sharp, small basin mixer

INXX II basin mixers are available in three different heights, including small which is suitable for small basins. With its durable matt white finish and straight lines, long spout and slanted nozzle, the INXX II sharp basin mixer is attractive to look at and practical to use. The mixer has been tested and approved according to current building regulations and is energy-efficient, which means it reduces water and energy use without compromising on comfort. A push down-waste in a matching colour is available as an accessory.

## About the collection

INXX II is an elegant, timeless collection in a palette of carefully selected colours. Offering a combination of high quality, sober design and outstanding comfort, this is the ultimate collection.

Article number: 273003.22CA



## Sparepartlist

| NO. | ART NO.     | RSK     | DESCRIPTION                  |
|-----|-------------|---------|------------------------------|
| 1   | 409701.AE   | 8394076 | Lever, complete, chrome      |
| 1   | 409701.12AE | 8394077 | Lever, complete, matte black |
| 1   | 409701.22AE | 8394078 | Lever, complete, matte white |
| 1   | 409701.44AE | 8394079 | Lever, complete, matte grey  |

| NO. | ART NO.     | RSK     | DESCRIPTION                                |
|-----|-------------|---------|--|
| 1   | 409701.60AE | 8394080 | Lever, complete, polished brass PVD        |
| 1   | 409701.62AE | 8394081 | Lever, complete, brushed brass PVD         |
| 2   | 409703.AE   | 8437060 | Ceramic cartridge                          |
| 3   | 409706.AE   | 8281571 | Aerator M16,5 ext., 5 l/min at 200–600 kPa |
| 4   | 209518.AE   | 8346911 | Fastening details                          |
| 5   | 409708.AE   | 8394122 | Care-handle, chrome                        |
| 5   | 409708.12AE | 8394123 | Care-handle, matte black                   |
| 5   | 409708.22AE | 8394124 | Care-handle, matte white                   |
| 5   | 409708.44AE | 8394125 | Care-handle, matte grey                    |
| 5   | 409708.60AE | 8394126 | Care-handle, polished brass PVD            |
| 5   | 409708.62AE | 8394127 | Care-handle, brushed brass PVD             |