




MORA ONE miniprofi kitchen mixer

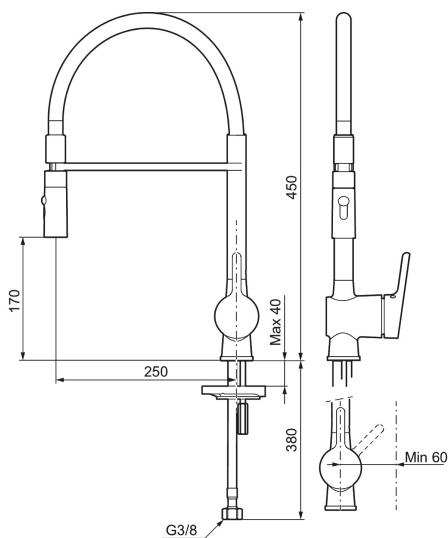
Article number: 262081.0042

Description: Chrome, grey hose

- Nozzle with two spray patterns (normal and rinse)
- Ceramic cartridge with soft closing function
- Adjustable flow control and temperature limiter
- Eco (energy and water saving aerator)
- Swivel spout, limitation part for 60°, 85°, 110° or 360° included
- Soft PEX® hoses with 3/8" connecting nut (stainless steel braided)
- Approved non-return valves, EN-Standard EN1717
- Hole diameter Ø34-37 mm

Unique characteristics

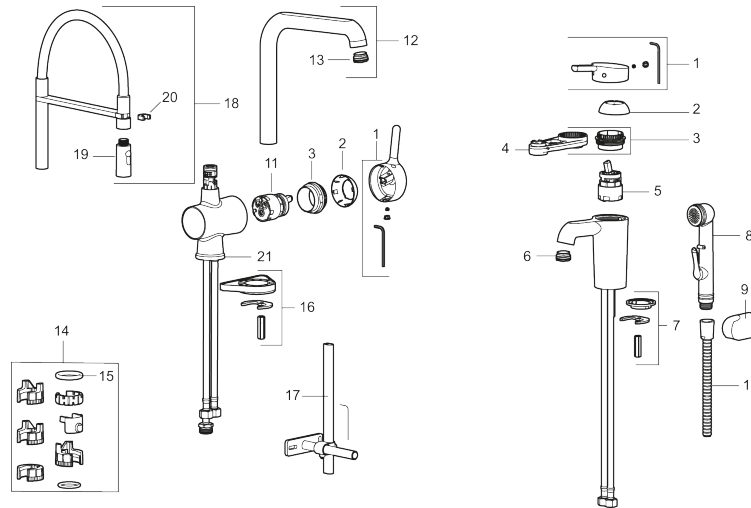
Backflow protection unit type 



PRODUCT DESCRIPTION

MORA ONE miniprofi kitchen mixer

Article number: 262081.0042



Sparepartlist

NO.	ART NO.	RSK	DESCRIPTION
1	409560.AE	8393985	Lever, complete
2	409580.AE	8386087	Cover nut
3	409570.AE	8386086	Lock nut, incl service tool
4	891096.AE	8345921	Service tool
5	S600273	8387230	Ceramic cartridge with service tool, cold start (green ring)
5	409405.AE	8345205	Ceramic cartridge, Turbo, incl service tool
6	409565.AE	8281449	Aerator M24 ext., 5 l/min at 200–600 kPa
7	409387.AE	8346912	Fastening details, basin
8	S600206	8233049	Self-closing hand shower, chrome
9	130732.AE	8184186	Wall bracket
10	S600207	8236647	Shower hose, L=1,5 m, chrome
11	S600276	8387231	Ceramic cartridge, incl. service tool, 20 l/min
12	409561.AE	8393986	Spout, complete
13	409569.AE	8281451	Aerator M24 ext., 9–11 l/min at 300 kPa
14	209565.AE		Limitation segment
15	708843.AE	8295357	O-ring (15,54 x 2,62), 2 pcs
16	708779.AE		Fastening details, kitchen
17	409340.AE	8531598	Stabilization kit
18	409563.AE	8393988	Spout, complete, transparent hose

NO.	ART NO.	RSK	DESCRIPTION
18	409563.0011	8394026	Spout, complete, black hose
18	409563.0015	8394027	Spout, complete, pink hose
18	409563.0020	8394025	Spout, complete, white hose
18	409563.0024	8394024	Spout, complete, brown hose
18	409563.0042	8394023	Spout, complete, grey hose
18	409563.0084	8394028	Spout, complete, blue hose
19	409564.AE	8393989	Nozzle
20	S600061	8393993	Spout mount
21	209563.AE	8295335	Locating ring, kitchen