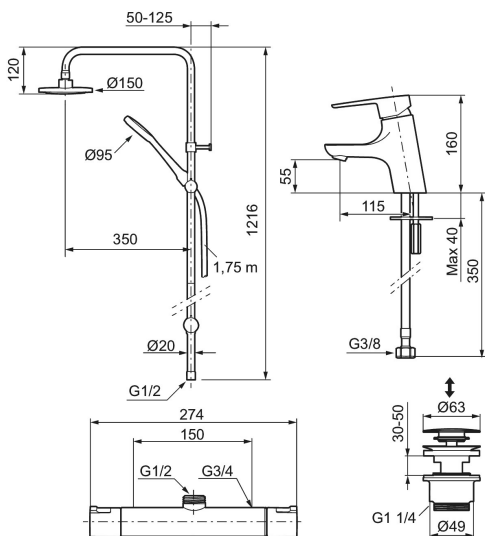




Unique characteristics



MORA CERA bathroom concept

Article number: 241920 Flow 3 bar: 10.0 l/m

Description: Chrome

Consist of :

Mora Cera thermostatic mixer art.no. 241150.DB

- Temperature handle with safety stop at 38°C and 42°C
- With Eco-function
- Approved non-return valves, EN-Standard EN1717
- Extra user-friendly grips, approved by the Rheumatism Association in Sweden

Mora Cera Shower System S5 art.no. 130005

- Diverter with ceramic cartridge
- Shower hose in metal, PVC- and BPA-free
- With Easy-Clean anti-limescale system
- Shower bar can be shortened if required
- Diverter can be mounted with lever pointing in chosen direction
- Air mixture provides comfort flow at 6 l/min, max flow 10 l/min

Mora Cera basin mixer with push-down waste art.no. 243071.CA

- ESS (energy saving system)
- Ceramic cartridge with soft closing function
- Adjustable flow control and temperature limiter
- Eco (energy and water saving constant flow aerator, 5 l/min at 200–600 kPa)
- Soft PEX[®] hoses with 3/8" connecting nut (stainless steel braided)
- Approved by the Rheumatism Association in Sweden
- Hole diameter Ø28-37 mm