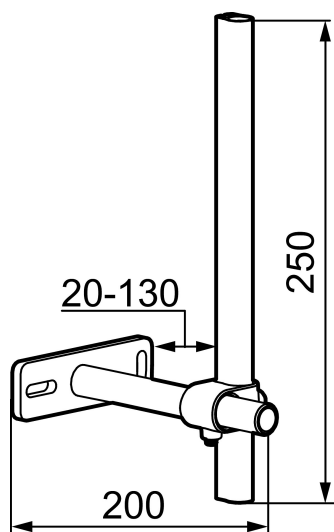
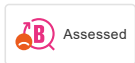


Unique characteristics



Stabilization kit

For stabilizing kitchen mixers with Soft PEX® pipes when installing in a stainless steel sink.

The stabilization rod is designed to ensure a steady and robust installation of your kitchen mixer, especially when used with stainless steel sinks. By installing the stabilization rod, you eliminate issues with wobbly mixers and guarantee a durable and secure installation. Additionally, it is easy to install and comes with clear instructions.

Article number: 409340.AE

Description: Chrome

- For stabilization of kitchen mixers with Soft PEX® hoses
- For thin sheet metal sinks