



## MORA CERA K2 kitchen mixer

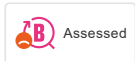
In today's families, the kitchen is a space for socialising and creativity. A modern kitchen mixer must look good, work perfectly and promote a high level of hygiene and safety. That's why Mora Cera offers the things that everyone wants in their kitchen: thoughtfulness and quality time.

Article number: 245031 Flow 3 bar: 9.8 l/m

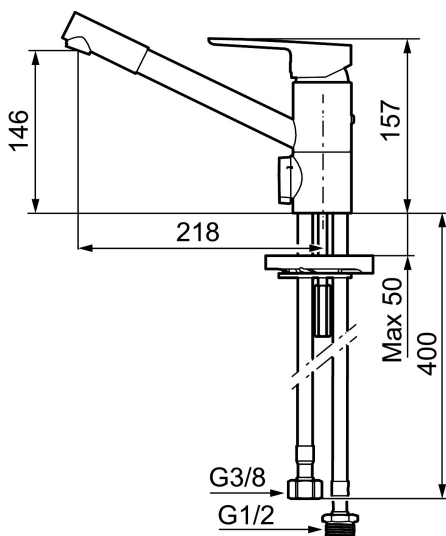
Description: Chrome

- ESS (energy saving system)
- Ceramic cartridge with soft closing function
- Adjustable flow control and temperature limiter
- Eco (energy and water saving aerator)
- Soft PEX<sup>®</sup> hoses with 3/8" connecting nut (stainless steel braided)
- Swivel spout 110°
- With dishwasher valve, switchable between cold and hot water. Pre-set on cold water
- Hole diameter Ø34-37 mm

### Unique characteristics



Backflow protection unit type **AA**

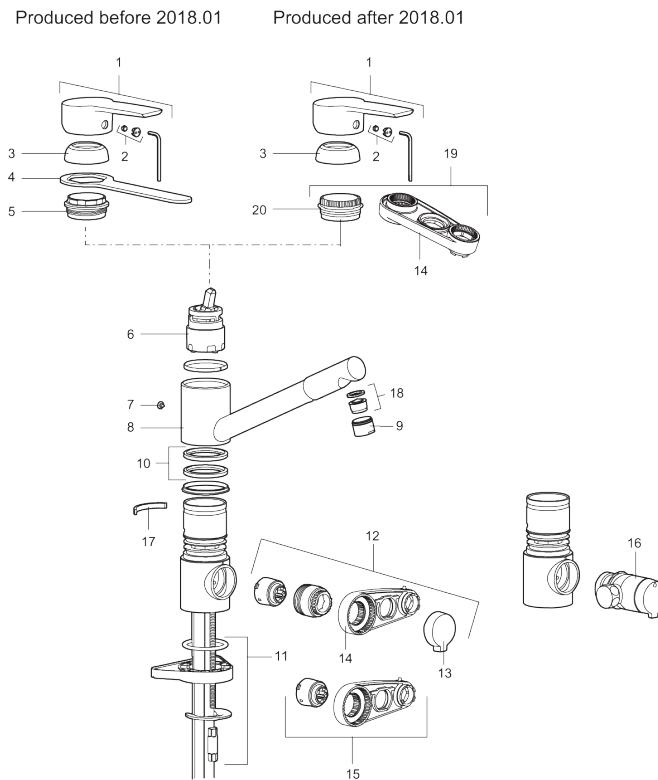


PRODUCT DESCRIPTION

# MORA CERA K2 kitchen mixer

In today's families, the kitchen is a space for socialising and creativity. A modern kitchen mixer must look good, work perfectly and promote a high level of hygiene and safety. That's why Mora Cera offers the things that everyone wants in their kitchen: thoughtfulness and quality time.

Article number: 245031



## Sparepartlist

| NO. | ART NO.   | RSK     | DESCRIPTION                                                  |
|-----|-----------|---------|--------------------------------------------------------------|
| 1   | 409600.AE | 8345186 | Lever, complete                                              |
| 2   | 409392.AE | 8344866 | Colour marking and mounting screw for lever                  |
| 3   | 409391.AE | 8344865 | Cover nut                                                    |
| 5   | 409610.AE | 8241743 | Lock nut for cartridge                                       |
| 6   | S600273   | 8387230 | Ceramic cartridge with service tool, cold start (green ring) |
| 7   | 409611.AE | 8241744 | Stop screw                                                   |
| 8   | 409685    | 8242427 | Swivel spout, complete with jet concentrator                 |
| 9   | 131417.AE | 8281513 | Housing M24 ext., 17 mm                                      |
| 10  | S600301   | 8387255 | Sealing rings, 2 pcs                                         |
| 11  | 409457.AE |         | Fastening details for mixers without on/off valve            |
| 11  | 409458.AE |         | Fastening details for mixers with on/off valve               |
| 12  | 409104.AE | 8322314 | Dishwasher isolator cartridge, incl. service tool            |

| NO. | ART NO.   | RSK     | DESCRIPTION                                            |
|-----|-----------|---------|--------------------------------------------------------|
| 13  | 409400.AE | 8345180 | Handle for dish washer connection                      |
| 14  | S600298   | 3870203 | Service tool                                           |
| 15  | S600337   | 8346905 | Ceramic cartridge for dishwasher, with service tool    |
| 15  | S600316   | 8387265 | Ceramic cartridge for dishwasher, without service tool |
| 16  | 409399.AE | 8347223 | Rebuild.kit for dish washer                            |
| 17  | 209558.AE | 8346933 | Limitation clapm for fixed spout and swivel 30-90°     |
| 18  | 131398.AE | 8281493 | Aerator insert, 9–11 l/min at 300 kPa                  |
| 19  | 409393.AE | 8345179 | Lock nut for cartridge, incl service tool              |
| 20  | 439060.AE | 8295361 | Lock nut                                               |